

## LED Mini Size Flood Light 25W, IP67



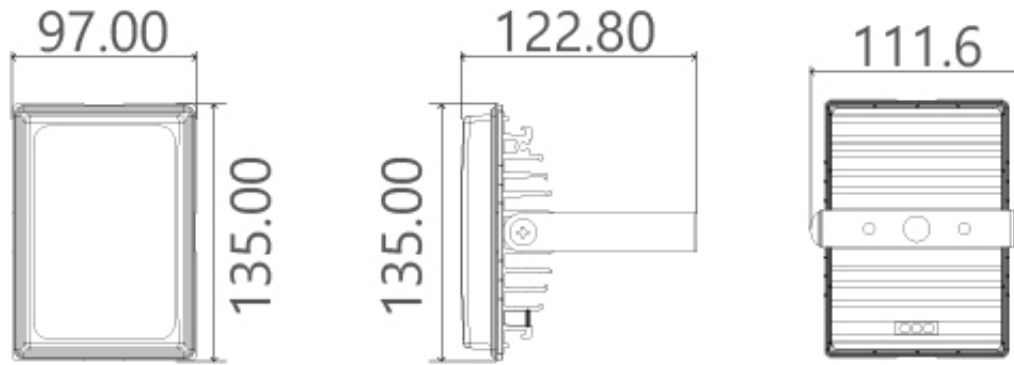
Slim 25W

ORDER CODE : SF100

### SPECIFICATION

- 25W
- 220V(210V~270V) ,50~60Hz
- 1,275(lm)
- 75RA
- 5700K,3000K
- IP67
- 0.4kg
- 0.9 PF
- -10 ~40

### DIMENSION

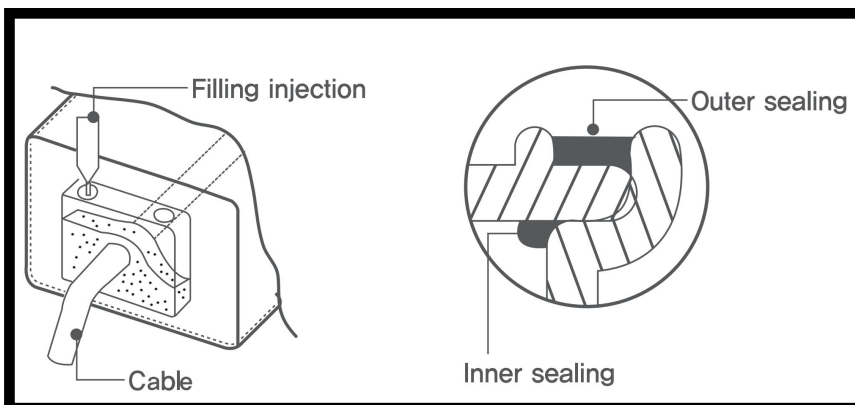


EGM Tech's floodlight uses international patented sealing technology.

And it has high durability that is 100% waterproof, moisture proof and dust proof.

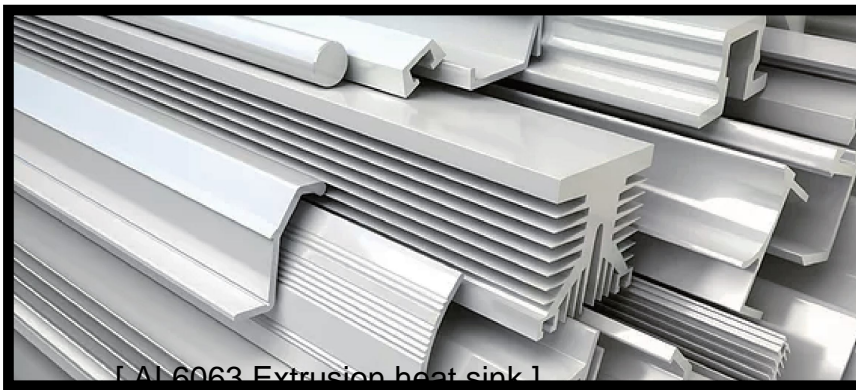
1. World-class Perfect sealing (waterproof, moisture-proof) technology

- Waterproof, moisture proof Technical description
- Link: [US Patent](#), [Korean Patent 1](#), [Korean Patent 2](#)



2. Used High quality aluminum (AL6063) extruded heat sink used

- Our original designed heat sink, Domestic processing
- Quality and heat dissipation efficiency are much higher than Chinese die casting method.
- It can be used in high humidity and high salinity coastal area because it does not rust almost  
due to high quality AL6063 and film treatment.



### 3. Proven quality

- Floodlight businedd 8 years, start work for ships working light
- Cumulative sales of 600,000 units, exported to Japan, Dubai, Italy and Norway
- Antarctica Sejong Station, Norwegian Salmon Farm, Dubai Oil Reservoir  
POSCO Pohang Factory, Hyundai Motor Ulsan Factory