

LED 25W Ultra Flexible gooseneck Work Lighting, Inspection Lighting,
Cutting machine, Lathe machine, Milling machine

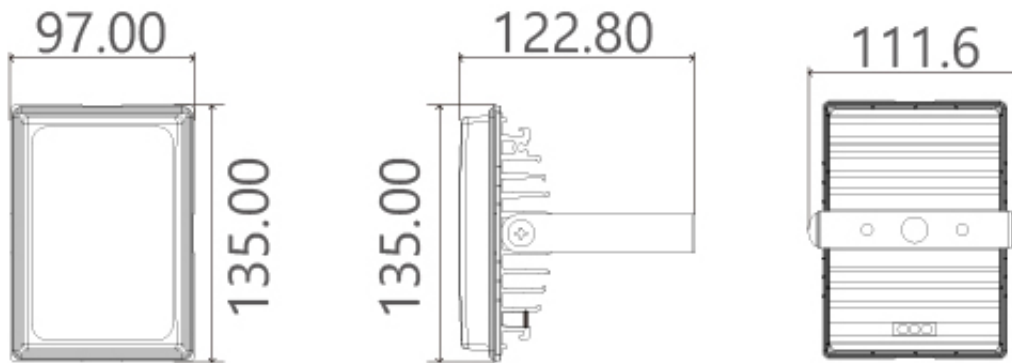




Flexible gooseneck LED Flood Lighting 25W with Magnetic base

- 25W
- 220V(210V~270V) ,50~60Hz
- 1,275(lm)
- 616(lux)
- 75RA
- 5700K,3000K
- IP67
- 1.2kg
- 0.9 PF
- -30 ~ 40

DIMENSION



> Flexible gooseneck Specification

- Length : 480mm
- Outer diameter : 17mm ?? : 8.0mm
- Material : PW-2, Cr plated
- Shrink tube work for dusty environments (Option)

> End Connectors

- M8 x 1.25, 10mm (Cr plated)

> Magnetic base (Made in China)

- On/off switch makes it easy to position
- **1500N {150kgf}, On, Off**
- **50 x 120 x 52mm**
- **M8 x 1.25, 7mm**

Stallone's floodlights are loved by customers for their quality and reasonable price.

- [Waterproof, moisture proof Technical description](#)

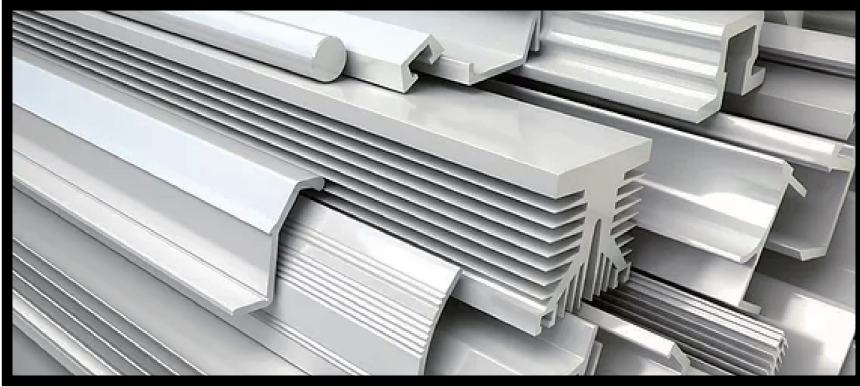
2. Free interference

- There is no radio interference in the wireless communication device and fish finder used in the ship.

3. Used High quality aluminum (AL6063) extruded heat sink

- Quality and heat dissipation efficiency are much higher than Chinese die casting method.

due to high quality AL6063 and Anodizing



[AL6063 Extrusion heat sink]

- Flood light busied 8 years for vessel lighting
- Antarctica Sejong Station, Norwegian Salmon Farm, Dubai Oil Reservoir