

## LED Flood light DC12V 75W IP67







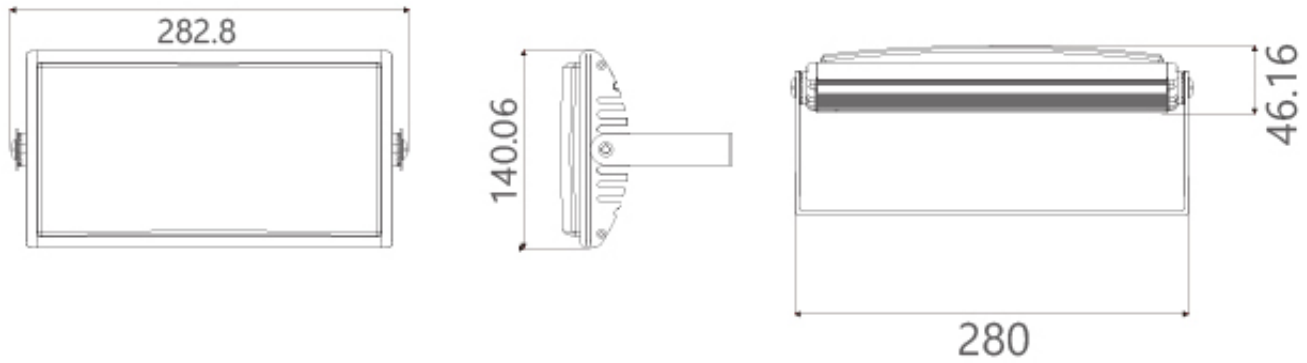
DC12V75W

ORDER CODE : LF300

#### SPECIFICATION

- 75W
- DC12V
- 6,500(lm)
- 2,200(lux)
- 70RA
- 6000K
- IP67
- 1.6kg
- -20 ~40

#### DIMENSION

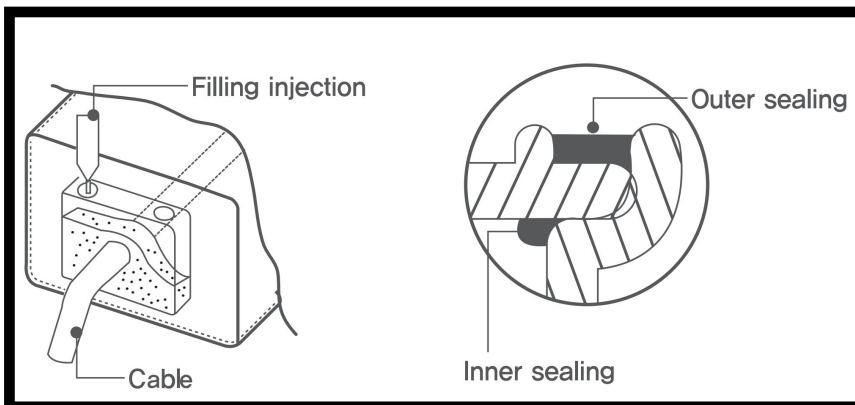


EGM-Tech's industrial and vessel lighting has been upgraded three times since 2011.

And we are getting much attention because of its ingenious quality and excellent utilization.

1. World-class sealing (waterproof, moisture-proof) technology

- Link: [US Patent](#) [Korea Patent 1](#), [Korea Patent 2](#)



- Our original designed heat sink, Domestic processing

- It can be used in high humidity and high salinity coastal area because it does not rust

almost

#### 4. Proven quality

- Cumulative sales of 600,000 units, exported to Japan, Dubai, Italy and Norway

POSCO Pohang Factory, Hyundai Motor Ulsan Factory