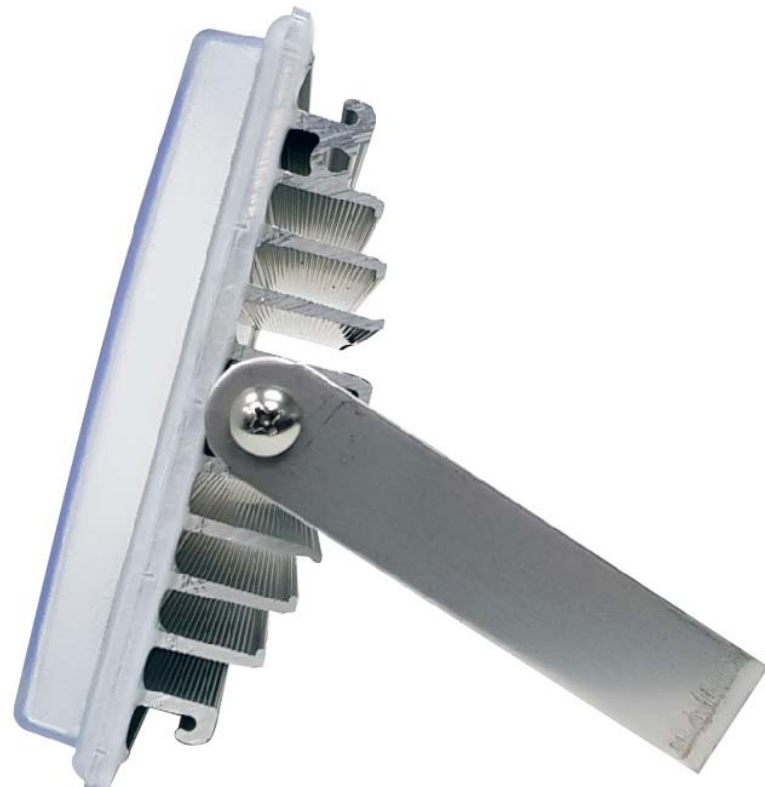
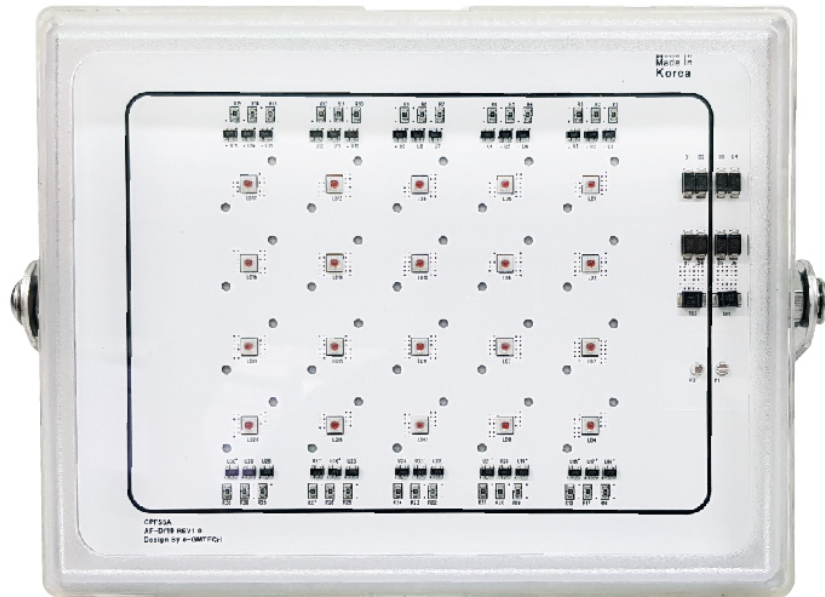


Color Changing LED RGB Full Color Flood Light DC12V 40W DMX







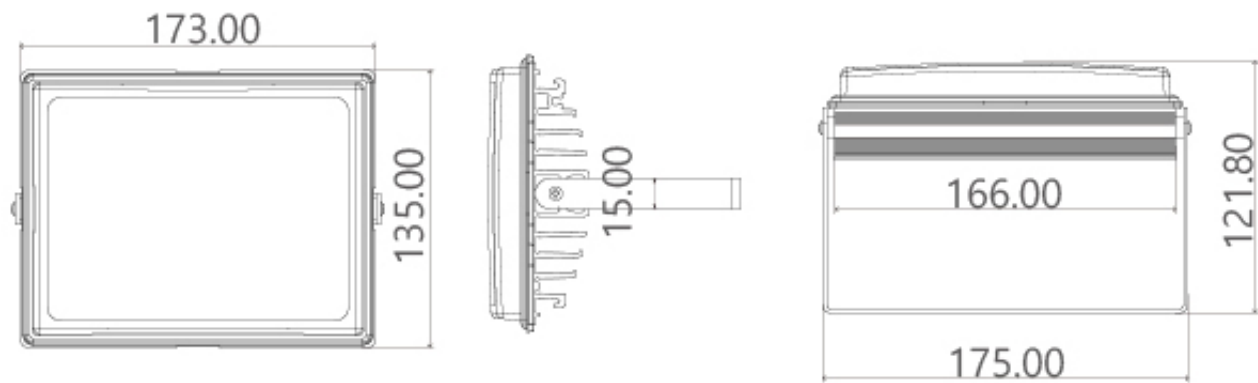
RGB DC12V 40W

ORDER CODE : CFF200

SPECIFICATION

- 40W
- DC12V
- Full RGB color
- IP67
- 0.8kg
- -30 ~50

DIMENSION



EGM Tech's floodlight uses international patented sealing technology.

And it has high durability that is 100% water-proof, moisture-proof and dust-proof.

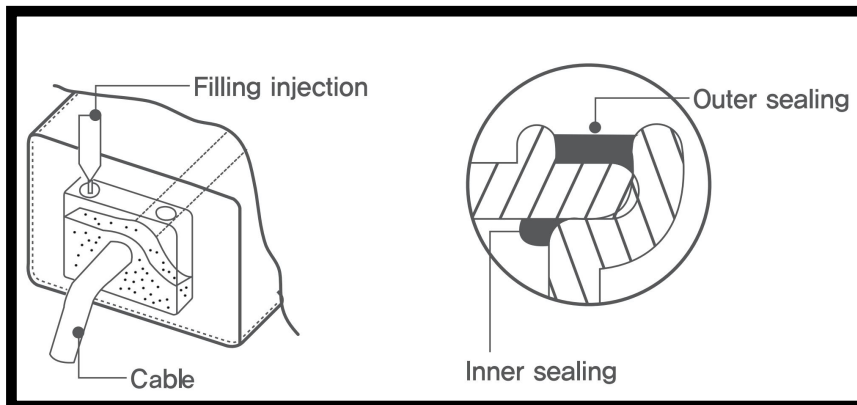
For lensed models,

High efficiency total reflection By applying individual lens, we minimize glare and increase light transmission rate to the highest level.

1. World-class sealing (waterproof, moisture-proof) technology

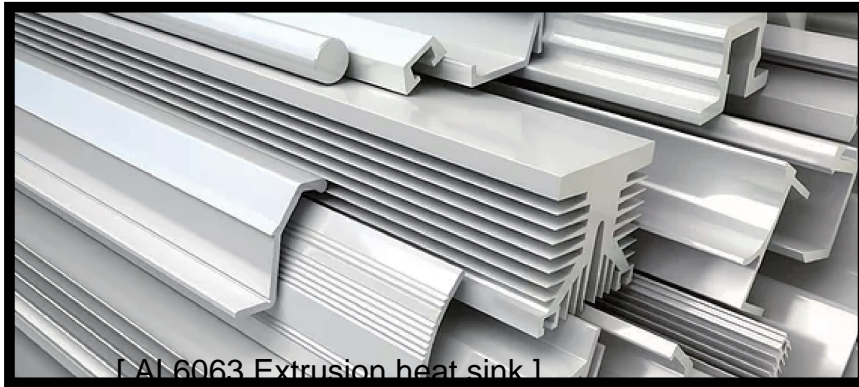
- [Waterproof, moisture proof Technical description](#)

- [US Patent, Korean Patent 1, Korean Patent 2](#)



2. Used High quality aluminum (AL6063) extruded heat sink used

- Our original designed heat sink, Domestic processing
 - Quality and heat dissipation efficiency are much higher than Chinese die casting method.
 - It can be used in high humidity and high salinity coastal area because it does not rust almost
- due to high quality AL6063 and Coating treatment.



3. Used High quality LED, PolyCarbonate , PCB & the Other Component

- Most of the products are Samsung LED or Cree LED, and a few are using Osram LED.

We do not use Chinese LEDs.

- Use high-quality PC materials that are also used for automotive headlights.

Therefore, there is no yellowing caused by UV, and it is not broken well.

- We mainly use FR4 PCB of large and reliable company.

4. Proven quality

- We have been in lighting business for more than 9 years,

start work for ships working light

- Cumulative sales of 600,000 units, exported to Japan, Dubai, Italy and Norway

- Antarctica Sejong Station, Norwegian Salmon Farm, Dubai Oil Reservoir

POSCO Pohang Factory, Hyundai Motor Ulsan Factory