

LED Flood light DC24V 60W, IP67







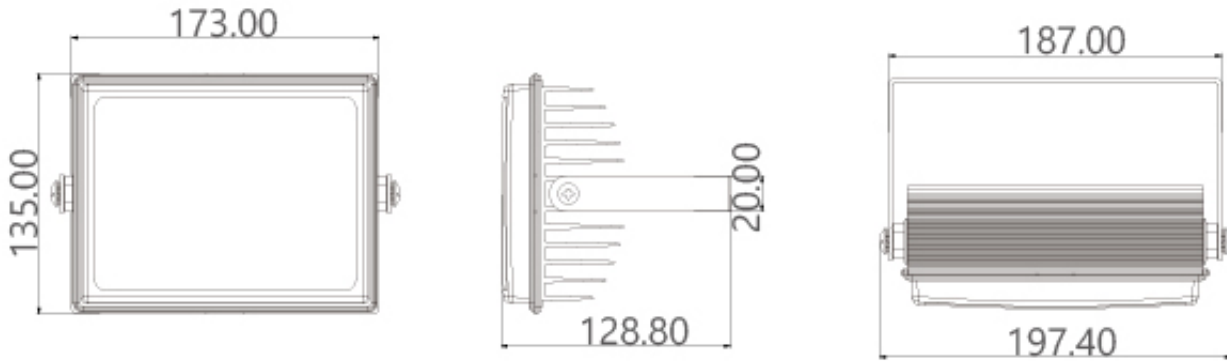
DC24V60W

ORDER CODE : F510

SPECIFICATION

- 60W
- DC24V
- 5,754(lm)
- 1,970(lux)
- 60RA
- 6000K,3000K
- IP67
- 1kg
- -20 ~40

DIMENSION

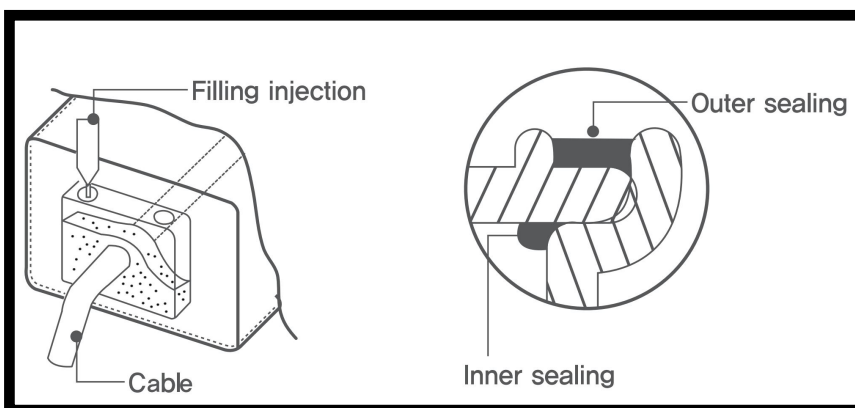


EGM-Tech's industrial and vessel lighting has been upgraded three times since 2011.

And we are getting much attention because of its ingenious quality and excellent utilization.

1. World-class sealing (waterproof, moisture-proof) technology

- Link: [US Patent](#) [Korea Patent 1](#), [Korea Patent 2](#)



- Our original designed heat sink, Domestic processing

- It can be used in high humidity and high salinity coastal area because it does not rust almost

4. Proven quality

- Cumulative sales of 600,000 units, exported to Japan, Dubai, Italy and Norway

POSCO Pohang Factory, Hyundai Motor Ulsan Factory