

STELLON
LIGHT SHOWER 25W



We are committed to provide high performance, high quality, high durability product as a reasonable price that lighting experts wanted. We aim for world best in outdoor lighting and specific object lighting



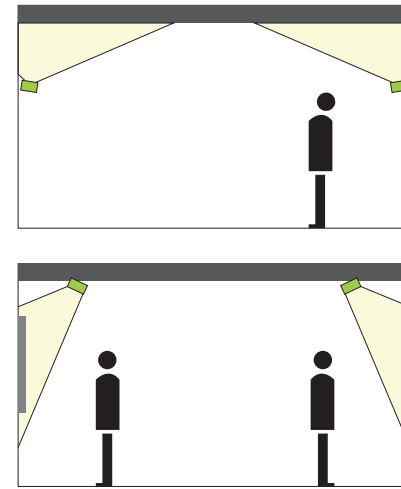
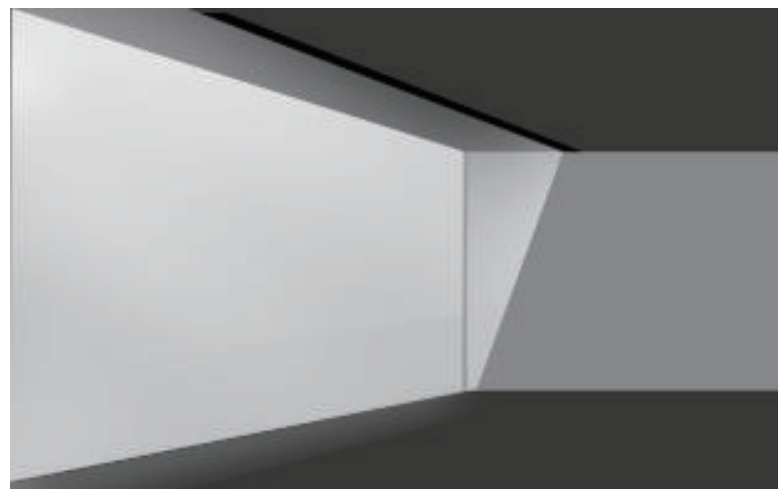
LIGHT SHOWER

25W(600mm)



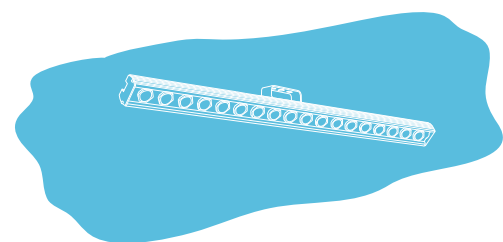
01. One side light distribution (Wall washer)

- One side lens, beam angle 40°
- Light distribution : Wall washer



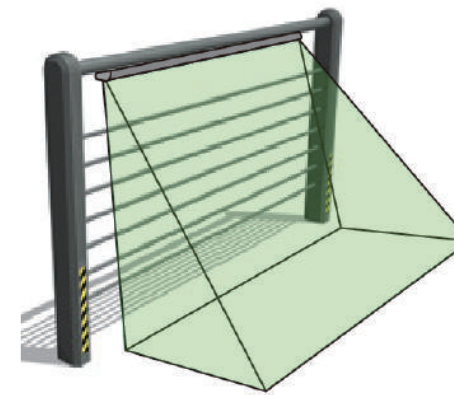
02. Perfect waterproof

- IP67
- Related patent
- Moisture proof, micro dust proof, frozen proof



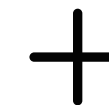
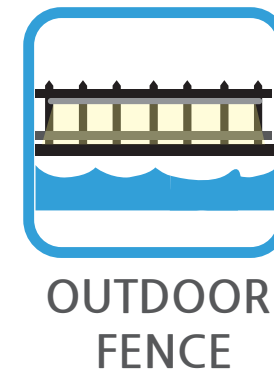
03. Comfortable eye

- Non glare
- Light up only working place by one side distribution



04. Indoor & outdoor lighting

- Outdoor : high durability
- Indoor : hall, interior design
- Pool & outdoor park (Waterproof, moisture proof)



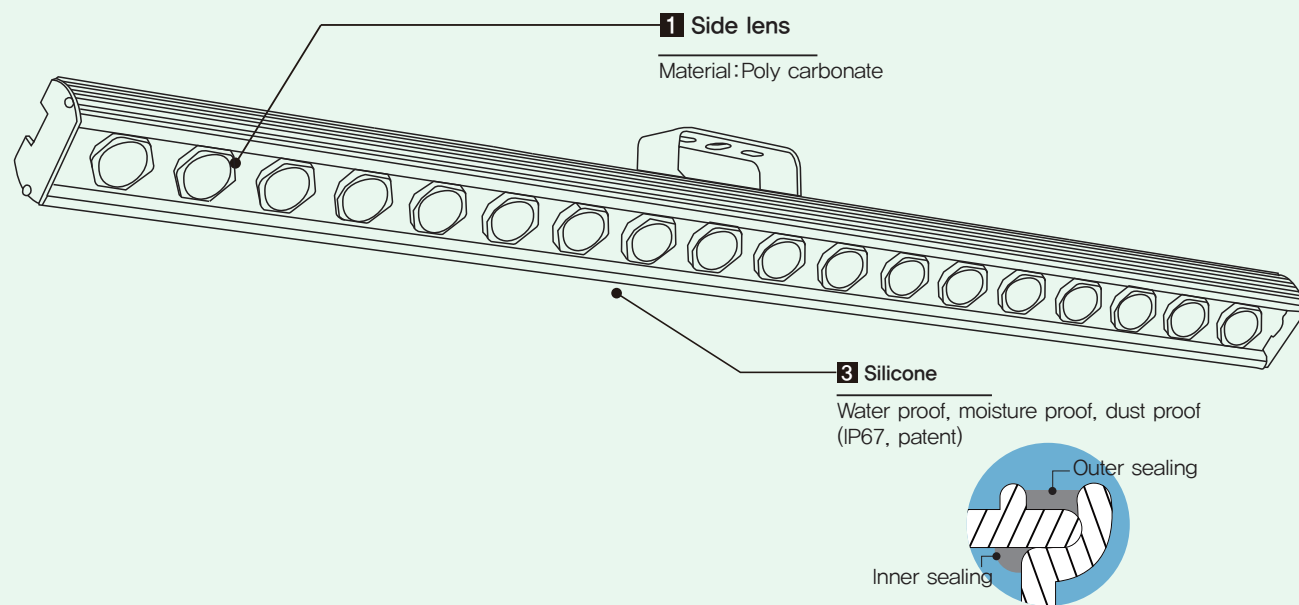
OST1000 Series (SPEC)

Specifications

TOTAL FLUX	ILLUMINANCE (1M)	CRI	CCT
1,550(lm)	2,890(lux)	OVER 80	6000K

IP LEVEL	WEIGHT	OPERATING TEMPERATURE	POWER CONSUMPTION	INPUT VOLTAGE	POWER FACTOR
IP67	1 Kg	-20~40°C	25W	AC220V (190V~290V)	OVER 0.9

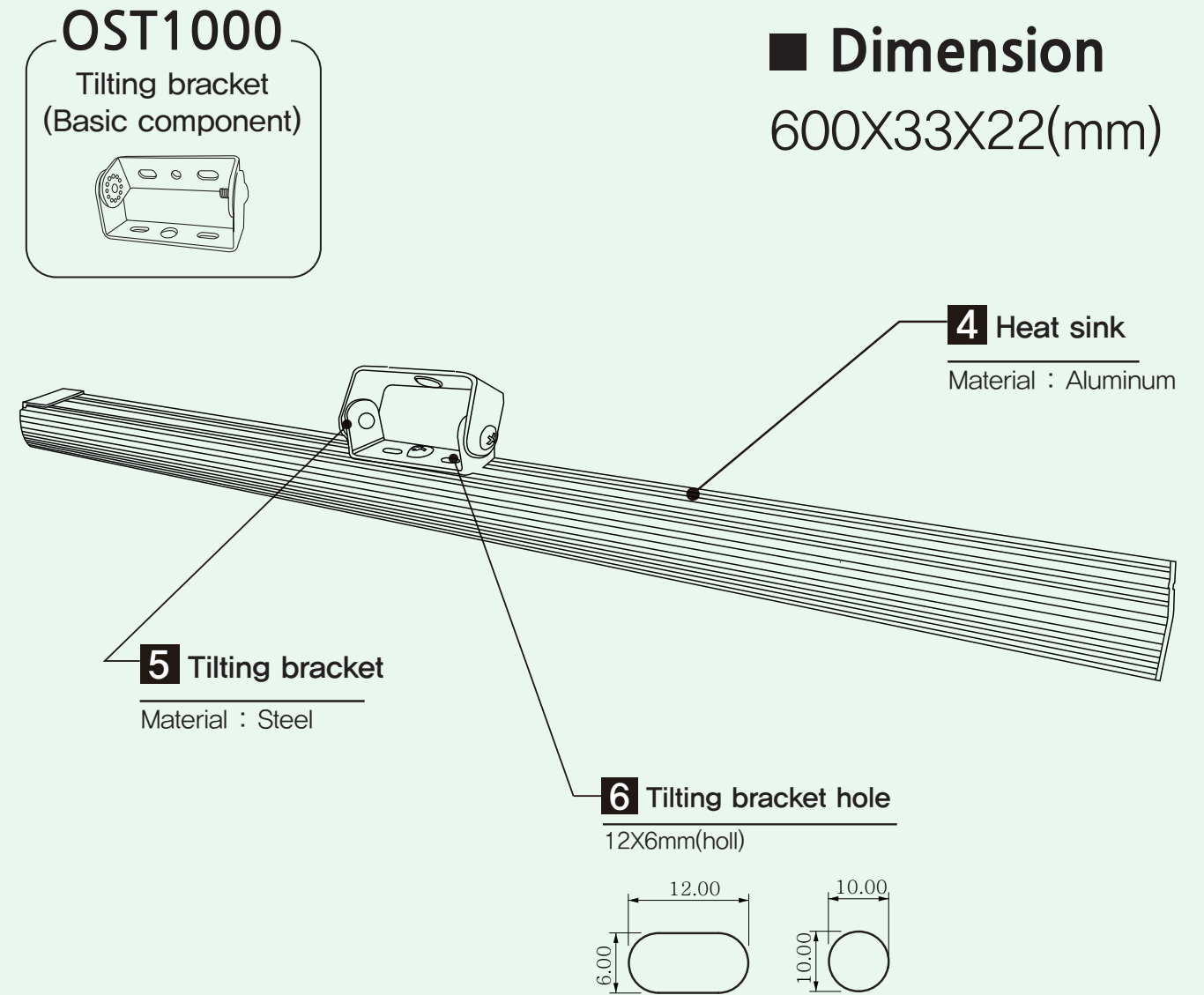
FRONT



OST1000 Series (STRUCTURE)

Dimension

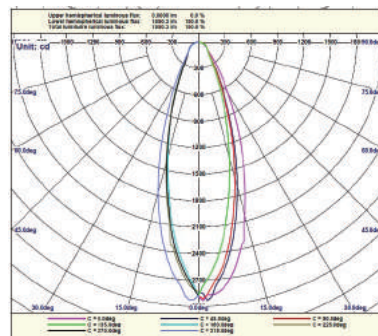
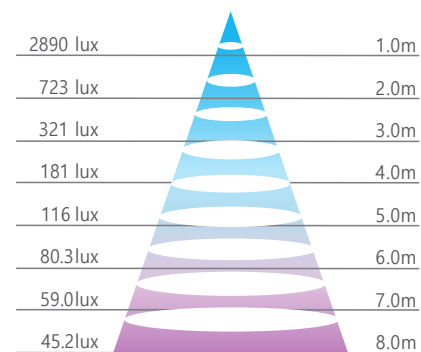
600X33X22(mm)



Light distribution & Cone lux level

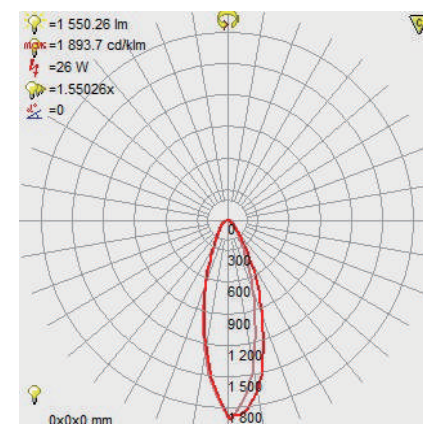
Total flux 1550(lm) / Illuminance 2890(lux/1m)

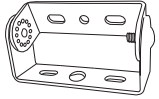
-One side lens, beam angle 40°



IES (Light distribution)

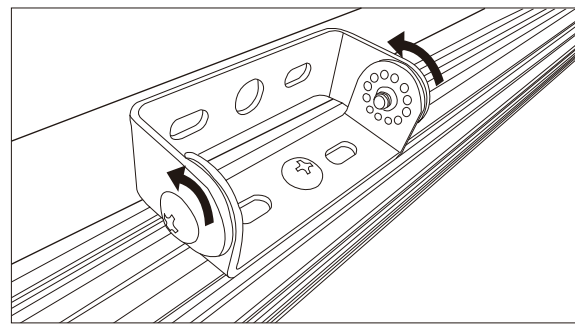
IES file link : <http://me2.do/FFoHSRzS>



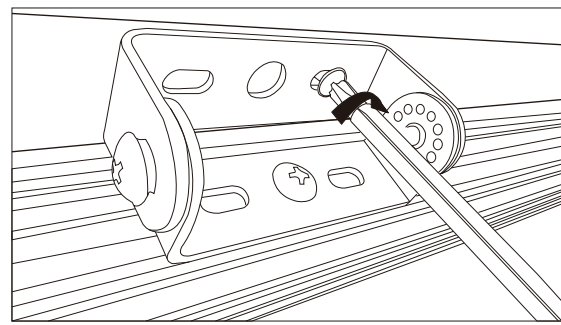
1.Direct mounting Installation	Composition	A.Tilting bracket
	Image	
	Order code	ACC035

Mounting arrangement

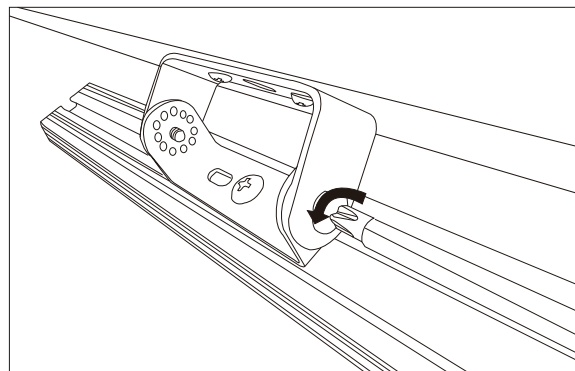
A. Direct mounting installation



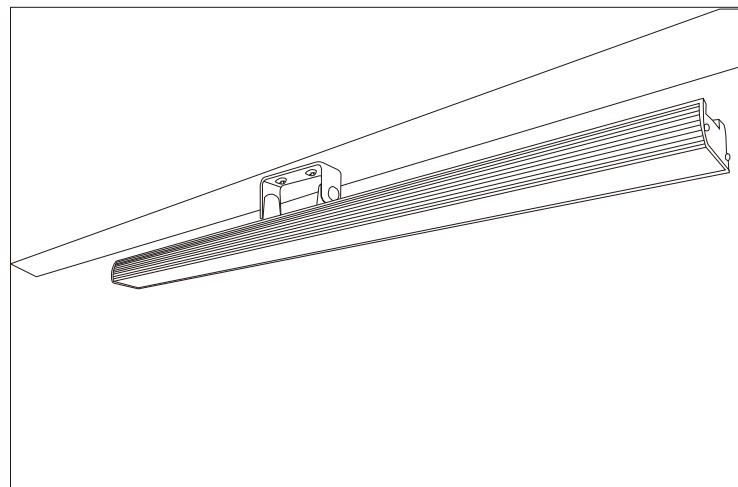
① Bend half of bracket back.



② Fix on the wall.



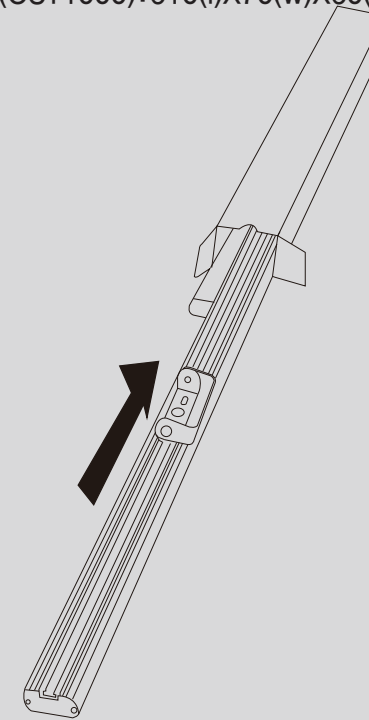
③ adjust the angle, and screwed up



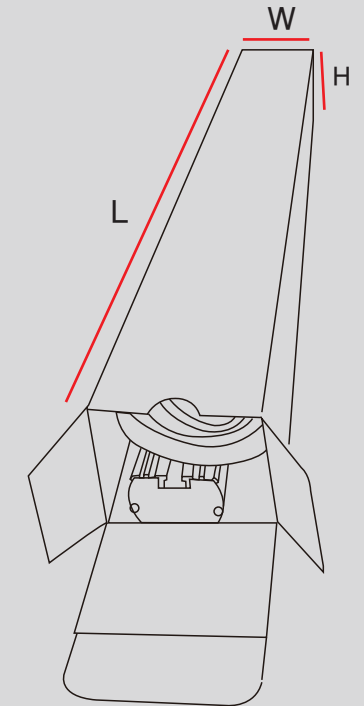
④ Complete

1.Packing

- Box size(OST2000):1210(l)X70(w)X60(h)
- Box size(OST1000):610(l)X70(w)X60(h)



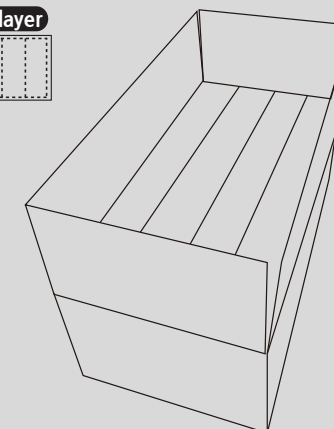
2.Inbox size



3.Out box size

- Box size (OST2000):655(l)X380(w)X268(h)
- Box size (OST1000):1255(l)X380(w)X268(h)
- box material:Corrugated fiber board

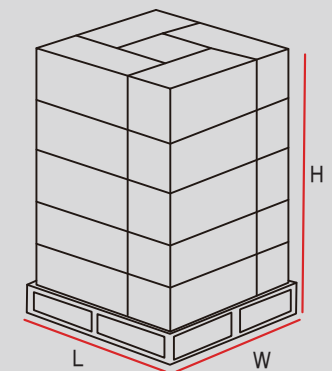
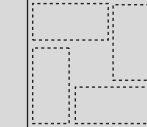
5eaX4layer



Pallette loading

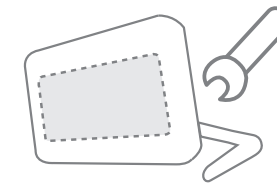
- OST1000:1050(l)X1050(w)X1900(h)
- OST2000:1700(l)X1700(w)X1900(h)

4eaX7layer



Notice for using products

	TEST	TEST condition	Sample qty / Defect qty	Remark
1	Water proof test	☐. Check the normal operating after put in water tank For 1 week(9hr on / 15hr off per 1 cycle).	5 / 0	
		☐. Check the moisture permeation after waterproof test and disassemble inside.	5 / 0	
2	Aging test	☐. Check the product condition after aging for 120hours under the rated voltage and room temperature.	5 / 0	
		☐. Check the illuminance value fluctuation range after 4hours aging, and 120 hours aging.	5 / 0	
		☐ Check the discolor, defect of PCB, PC Cover and any other part.	5 / 0	
3	Applied electric test under high/low temperature	☐. Check the normal operating after test under 60°C and -50°C per 120hours.	5 / 0	
4	EMI test	☐. Check the pass of KC standard with conduction and radiation.	5 / 0	
5	Surge test	☐. Check the normal operating under the 5KV, 10KV electric current.	5 / 0	
6	Drop test	☐. Check the crack or any other damage after drop from 2M height.	5 / 0	
7	Input rated voltage test	☐. 220V product : Check the normal operating on 210V ~240V (sustainment time : 2hours)	5 / 0	
8	Temporary over voltage test	☐. Check the normal operating under over 30% of rated voltage within 3 sec.	5 / 0	
9	Over voltage test	☐. Check the normal operating under over 20% of rated voltage.(20 hours lasts under AC290V)	5 / 0	
10	Converter inside	☐. Check the converter inside temperature after 5 hours aging under room temperature, and record it.(MAX temperature)	5 / 0	
11	Component temperature	☐. Check the most hottest part of temperature, and record it.(measure it after 3 hours power on)	5 / 0	



-Do not remodel or disassemble the product arbitrarily.
(You can not get A/S when arbitrarily)



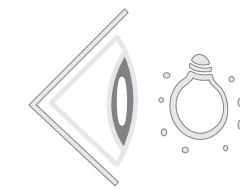
-Please be sure to install in where circuit breaker is installed.



-Please be sure to install at power off.

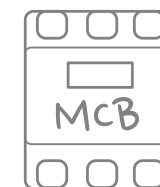


-Do not touch the product during the light on for a long time.



-Please do not look light directly when light on.

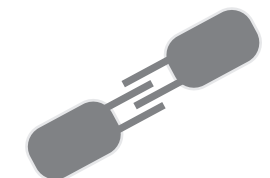
Checklist for product problem



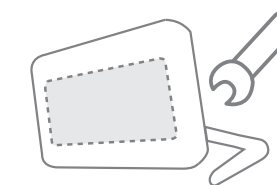
-If LED doesn't light on, please check the power circuit breaker.



-Make sure the power switch is set to ON.



-If the product does not light up after power on, please check the power cable contact status.



-When the product have problem, do not disassemble the product arbitrarily, and ask to store which you bought.
(You can not get A/S when arbitrarily disassemble)



If product has trouble caused by natural disaster like thunderbolt or surge, you can not get free A/S.
(It need cost for A/S)