

VICHIDA
BRIGHTLY EVERYWHERE
Search light DC24V45W



We are committed to provide high performance,high quality,high durability product as a reasonable price that lighting experts wanted,We aim for world best in outdoorlighting and specific object lighting

VICHIDA
BRIGHTLY EVERYWHERE

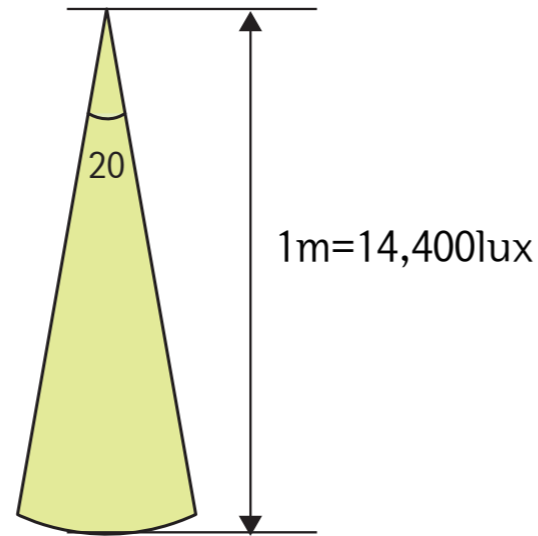
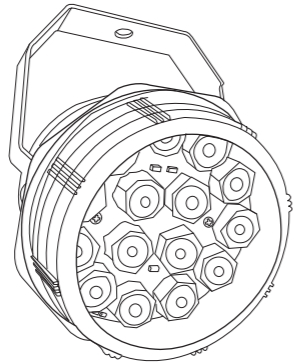


Search light
DC24V45W



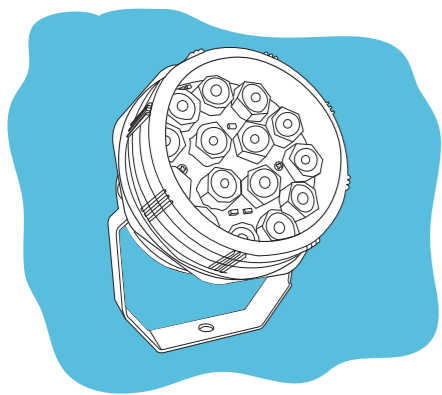
01. 20degree concentrated light distribution

-14400lux/1m of strong performance trough 20° lens



02. Perfect water proof

- IP67
- Related patent
- Moisture proof, dust proof, frozen proof



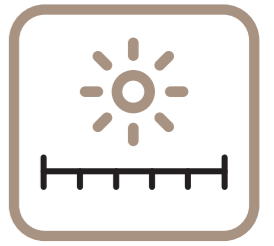
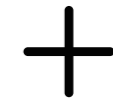
IP67 시험성적서 : http://www.egmtech.kr/?pageid=3&page_id=1380&uid=100&mod=document

03. Focus & effective distance

- Illuminate only working surface
- 50m of effective distance



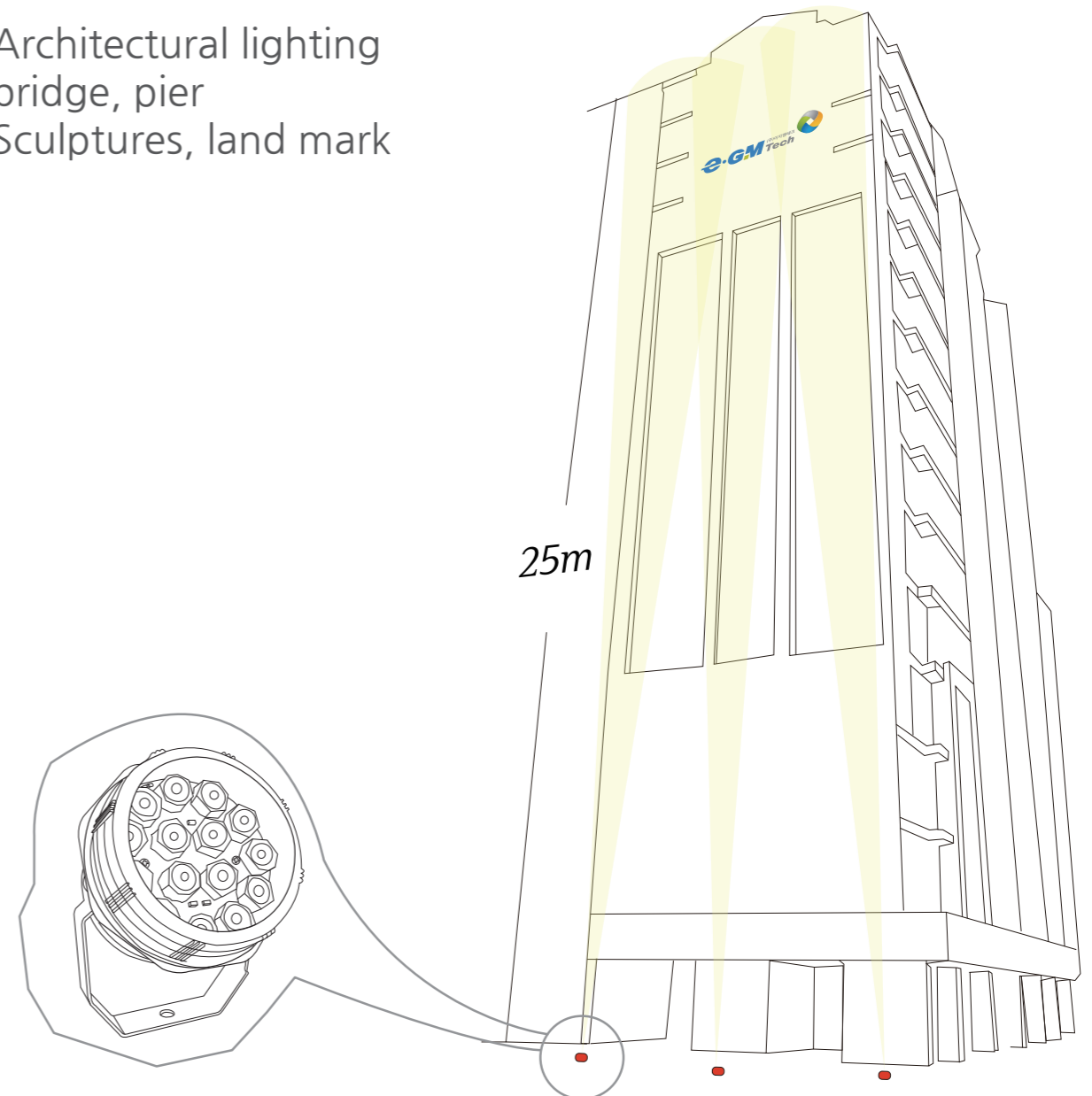
Focus



Efective distance

04. Landscape Lighting

- Architectural lighting
- bridge, pier
- Sculptures, land mark



SL100 Series (SPEC)

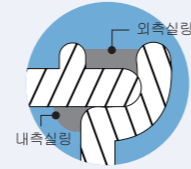
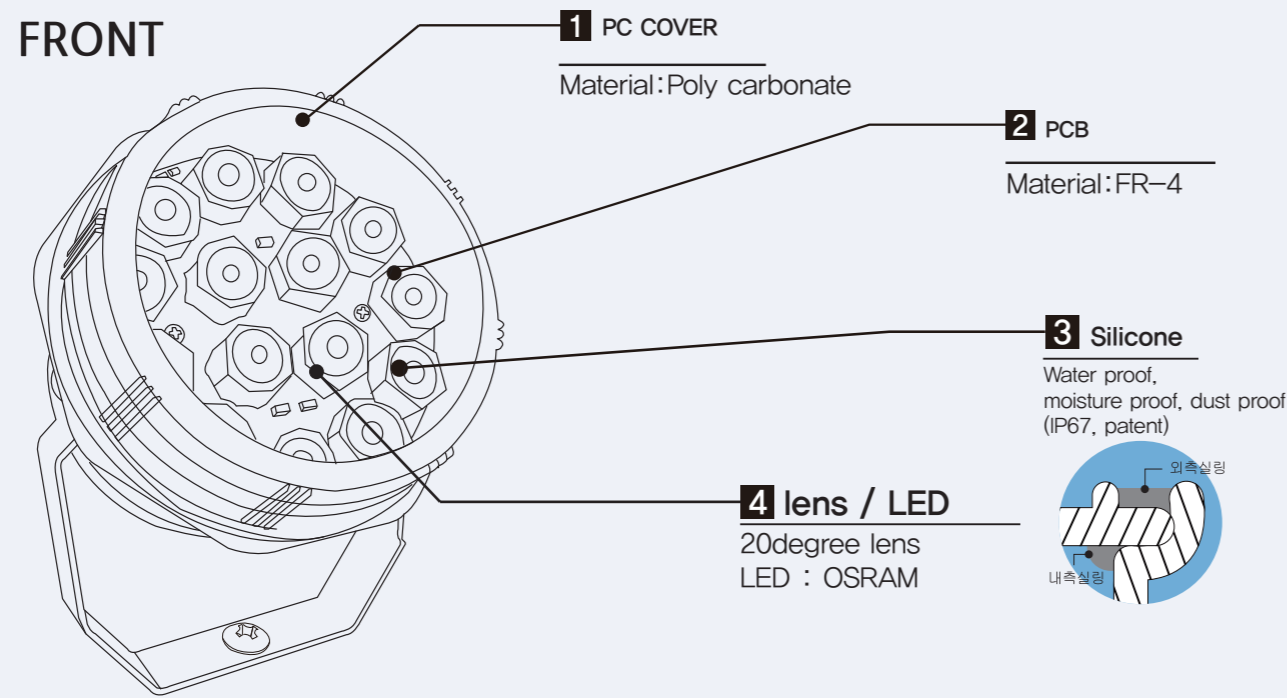
Specifications

| TOTAL FLUX | ILLUMINANCE (1M) | CRI | CCT |
|------------|------------------|---------|-------------|
| 2,330(lm) | 14,400(lux) | OVER 80 | 6000K/3000K |

| IP LEVEL | WEIGHT | OPERATING TEMPERATURE | POWER CONSUMPTION | INPUT VOLTAGE | POWER FACTOR |
|----------|--------|-----------------------|-------------------|---------------|--------------|
| IP67 | 0.7 Kg | -20~40°C | 45W | DC24V | OVER 0.9 |



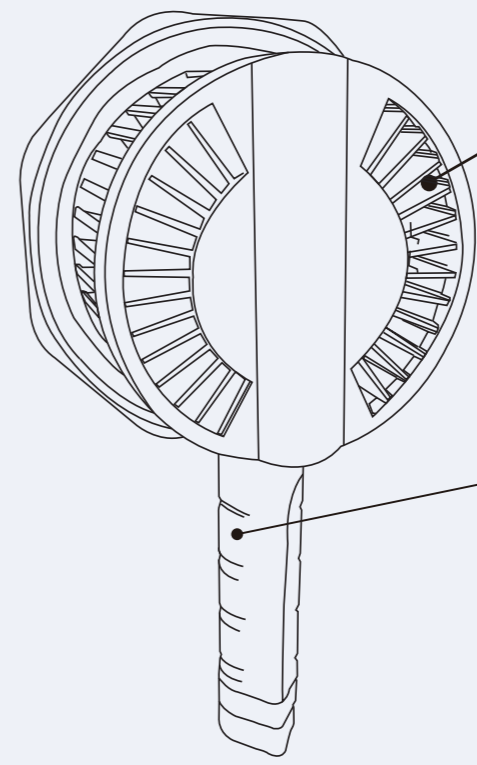
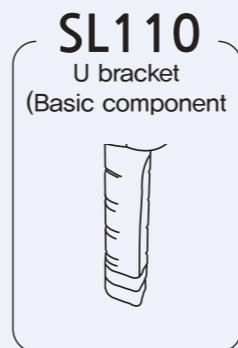
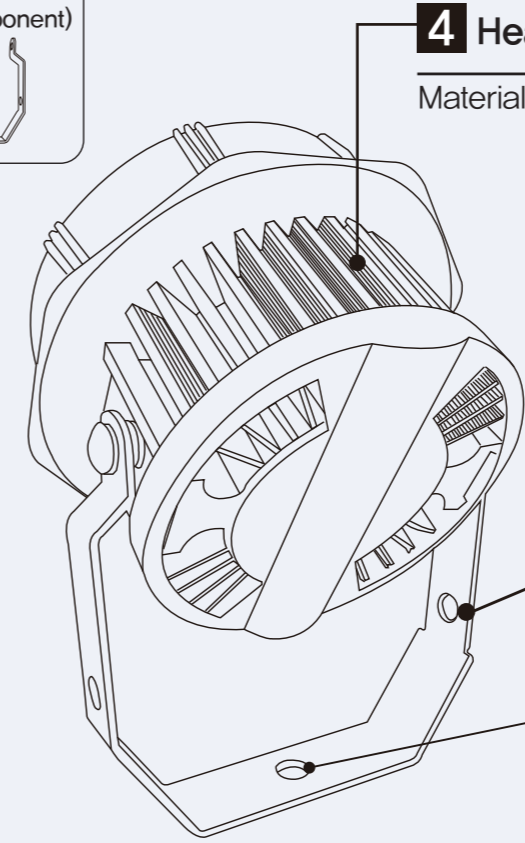
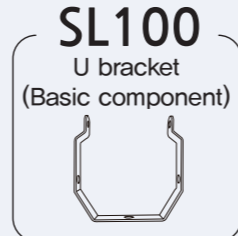
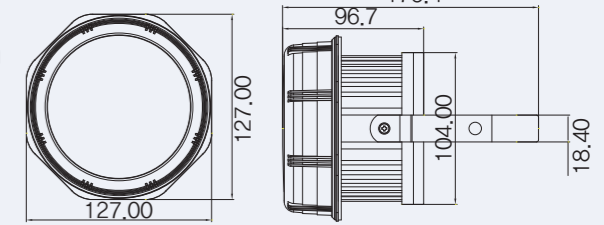
FRONT



SL100 Series (STRUCTURE)

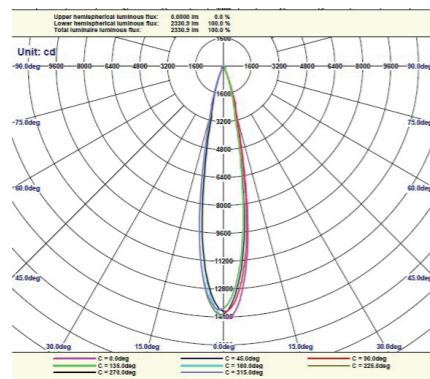
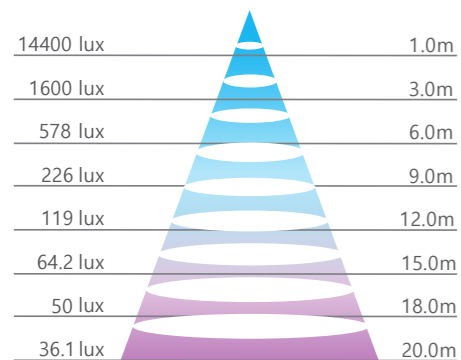
Dimension

※ 173X135X122.8



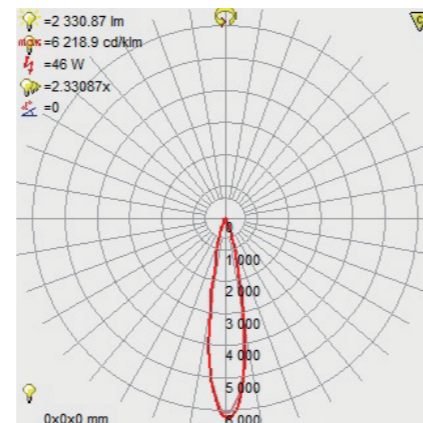
Light distribution & Cone lux level


Total flux 2330(lm) / Illuminance 14400(lux/1m) – beam angle 20°



IES (Light distribution)

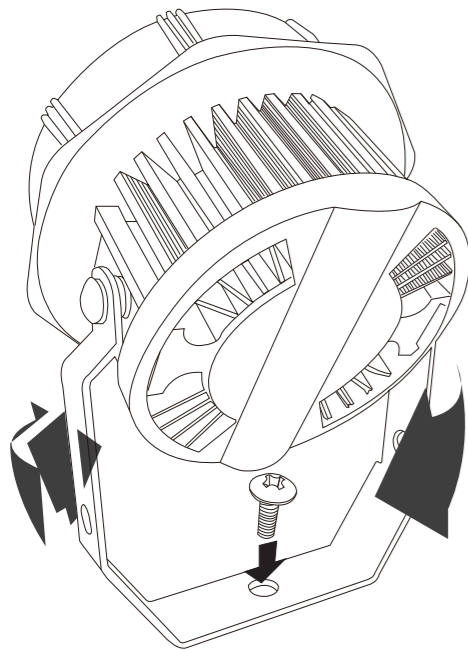
IES file link: <http://me2.do/5aB3odMT>



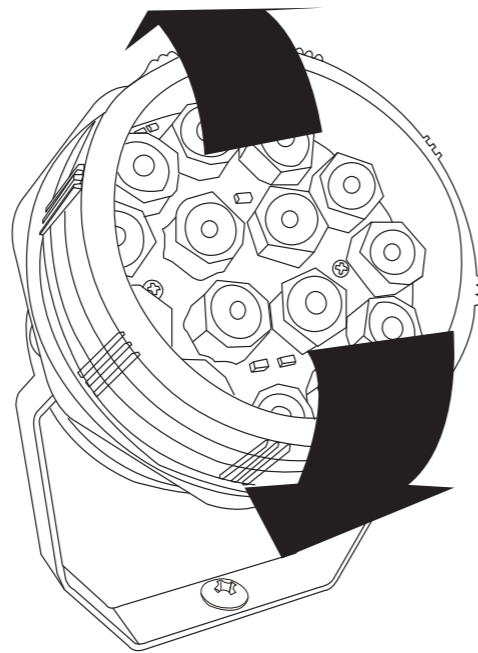
| | | |
|--------------------------------|-------------|---|
| 1.Direct mounting installation | Composition | A-1.U bracket |
| | Image |  |
| | Order code | 0539 |

Mounting arrangements

A.Direct mounting U type



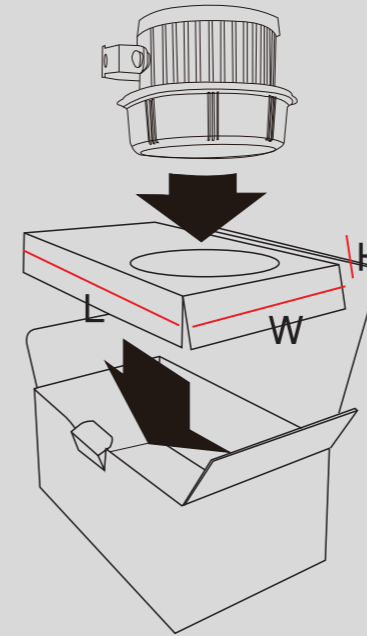
① Adjust the right & left angle, and screwed up



② Adjust the up & down angle.

1.Packing(Inbox)

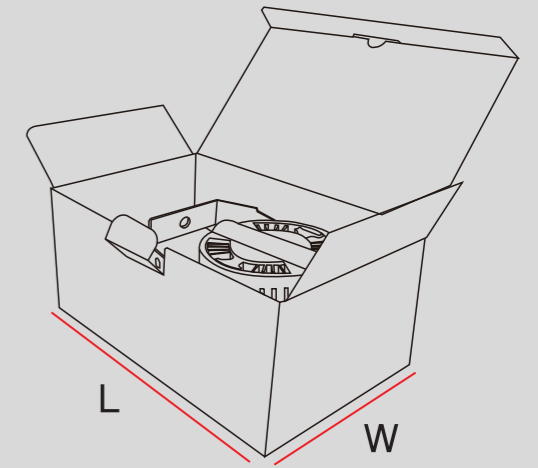
- Composition : Packing box, guide box, search light



- Frame box size:250(l)X145(w)X37(h)

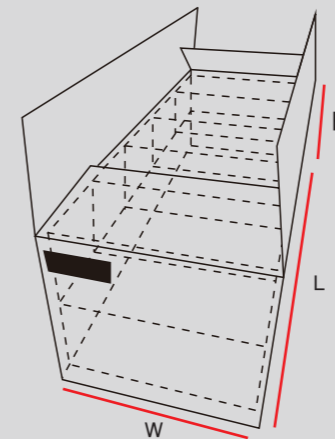
2.In box size

- Box size:260(l)X155(w)X110(h)



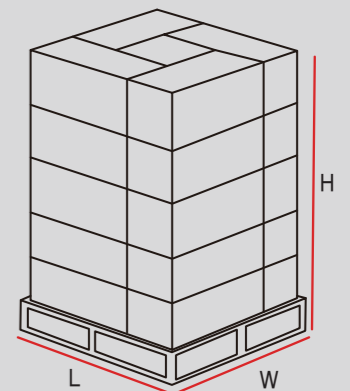
3.Out box size

- Out box size:805(l)X275(w)X240(h)
- Box material:Corrugated fiber board



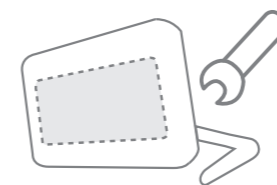
4.Pallette loading

- Pallette size:1100(l)X1100(w)X1200(h)



| | TEST | TEST condition | Sample qty / Defect qty | Remark |
|----|--|---|-------------------------|--------|
| 1 | Water proof test | ☐. Check the normal operating after put in water tank For 1 week(9hr on / 15hr off per 1 cycle). | 5 / 0 | |
| | | ☐. Check the moisture permeation after waterproof test and disassemble inside. | 5 / 0 | |
| 2 | Aging test | ☐. Check the product condition after aging for 120hours under the rated voltage and room temperature. | 5 / 0 | |
| | | ☐. Check the illuminance value fluctuation range after 4hours aging, and 120 hours aging. | 5 / 0 | |
| | | ☐ Check the discolor, defect of PCB, PC Cover and any other part. | 5 / 0 | |
| 3 | Applied electric test under high/low temperature | ☐. Check the normal operating after test under 60°C and -50°C per 120hours. | 5 / 0 | |
| 4 | EMI test | ☐. Check the pass of KC standard with conduction and radiation. | 5 / 0 | |
| 5 | Drop test | ☐. Check the crack or any other damage after drop from 2M height. | 5 / 0 | |
| 6 | Input rated voltage test | ☐. 24V product : Check the normal operating on 22V~30V (sustainment time : 2hours) | 5 / 0 | |
| 7 | Temporary over voltage test | ☐. Check the normal operating under over 30% of rated voltage within 3 sec. | 5 / 0 | |
| 8 | Over voltage test | ☐. Check the normal operating under over 20% of rated voltage.(20 hours lasts under AC32V) | 5 / 0 | |
| 9 | Converter inside | ☐. Check the converter inside temperature after 5 hours aging under room temperature, and record it.(MAX temperature) | 5 / 0 | |
| 10 | Component temperature | ☐. Check the most hottest part of temperature, and record it.(measure it after 3 hours power on) | 5 / 0 | |

Notice for using products



-Do not remodel or disassemble the product arbitrarily.
(You can not get A/S when arbitrarily)



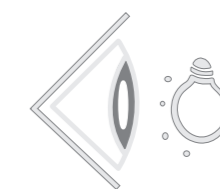
-Please be sure to install in where circuit breaker in installed.



-Please be sure to install at power off.



-Do not touch the product during the light on for a long time.



-Please do not look light directly when light on.

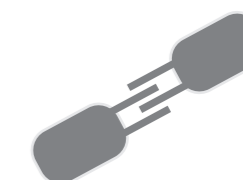
Checklist for product problem



-If LED doesn't light on, please check the power circuit breaker.



-Make sure the power switch is set to ON.



-If the product does not light up after power on, please check the power cable contact status.



-When the product have problem, do not disassemble the product arbitrarily, and ask to store which you bought.

(You can not get A/S when arbitrarily disassemble)



If product has trouble caused by natural disaster like thunderbolt or surge, you can not get free A/S.
(It need cost for A/S)