



Twin Neo plus longbody 160W Specification(OVP4000)



- This product is substitution for existing 400W HQI and has 30%~40% increased luminous flux compared with existing product and optimal light distribution.
- Waterproof, moisture proof, dust proof(IP67)
- Compared with HQI, 60~70% savings electricity cost.
- Total flux 15,400lm / Illuminance 5,400lux(1m)
- ECO LED

LED LIGHTING FOR PROFESSIONAL & SPECIAL PURPOSE

CONTENTS

We are committed to provide high performance,high
quality,high durability product as a reasonable price
that lighting experts wanted,We aim for world best in
outdoorlighting and specific object lighting e-GM Tech,Co,Ltd

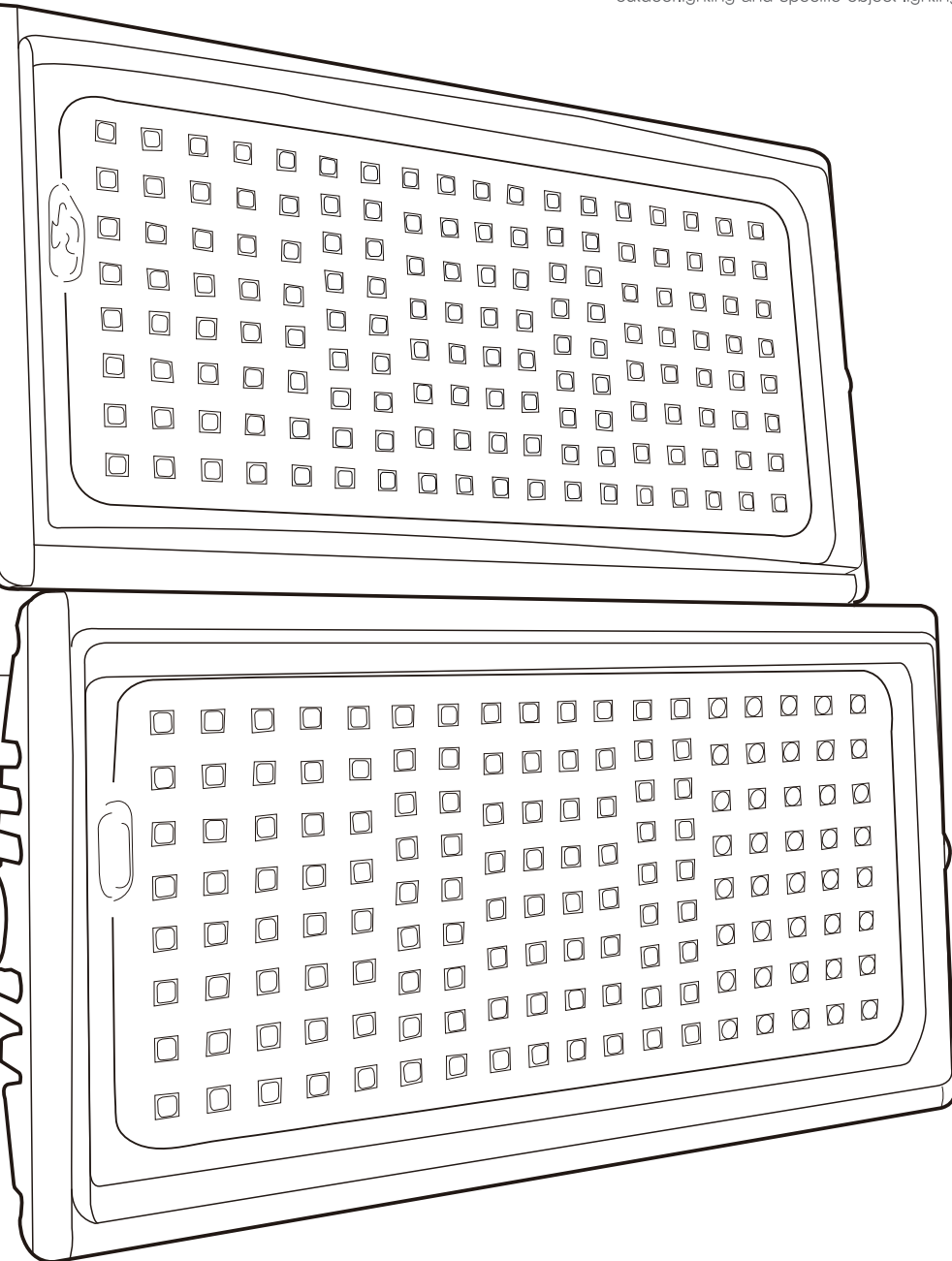
1.Overview

2.Accessories

3.Installation

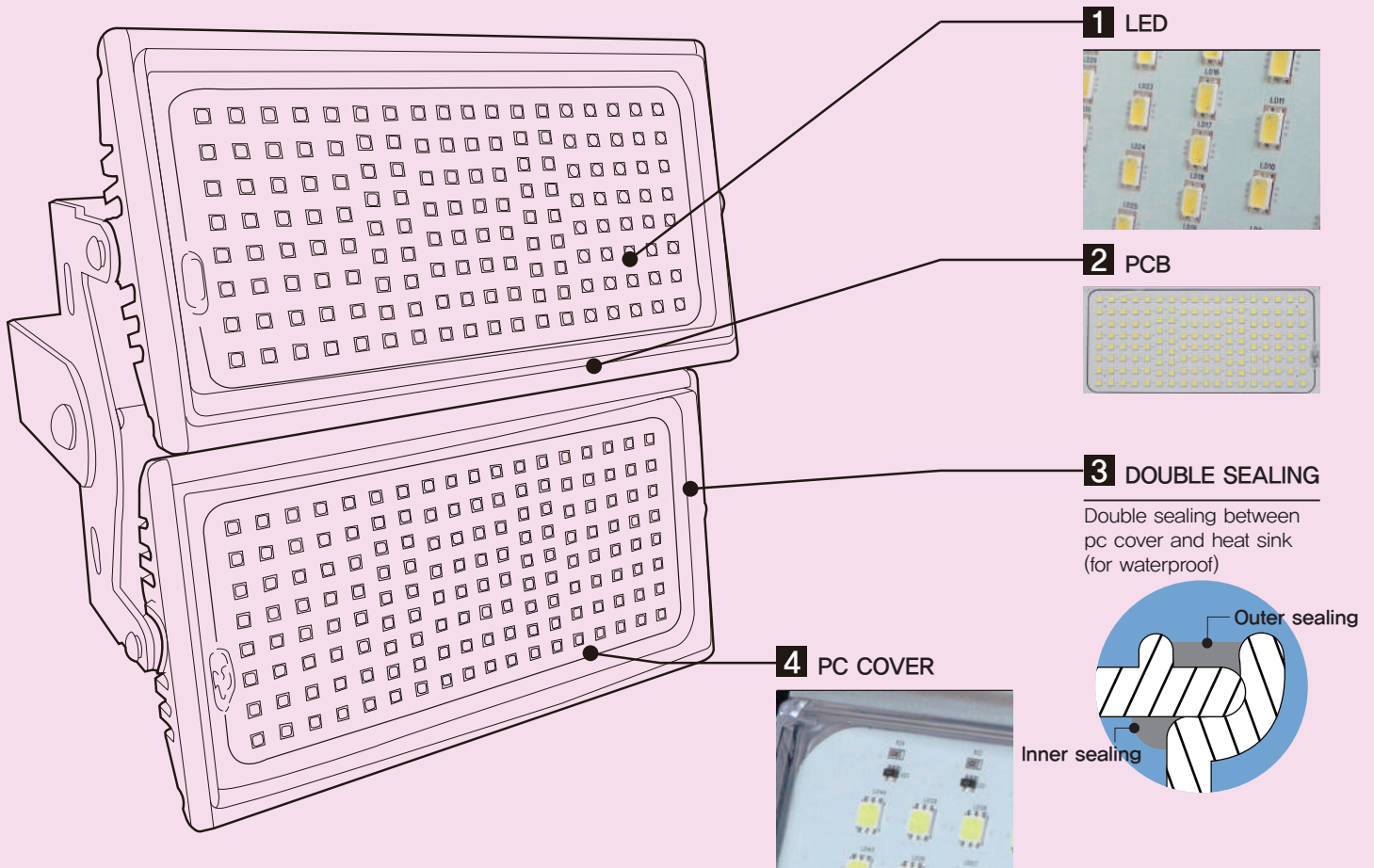
4.Packing

5.Certificate



A. Overview

Structure of product



광학적 사양(Optical Specification) # Oder code:OVP4000

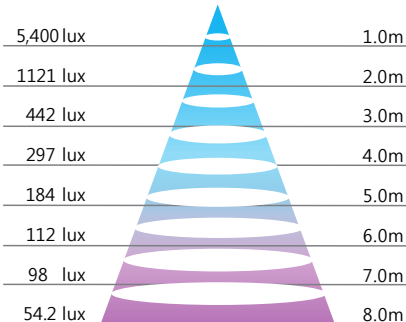
TOTAL FLUX	ILLUMINANCE(1M)	BEAM ANGLE	CRI	COLOR TEMPERATURE
15,400(lm)	5,400(lux)	120° / 60°	Over 80	6000K / 3000K

↓ Bridge

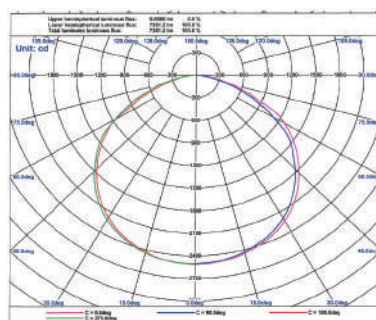


Illuminance & light distribution

illuminance 15,400(lm)
light distribution 5,400(lux/1m)

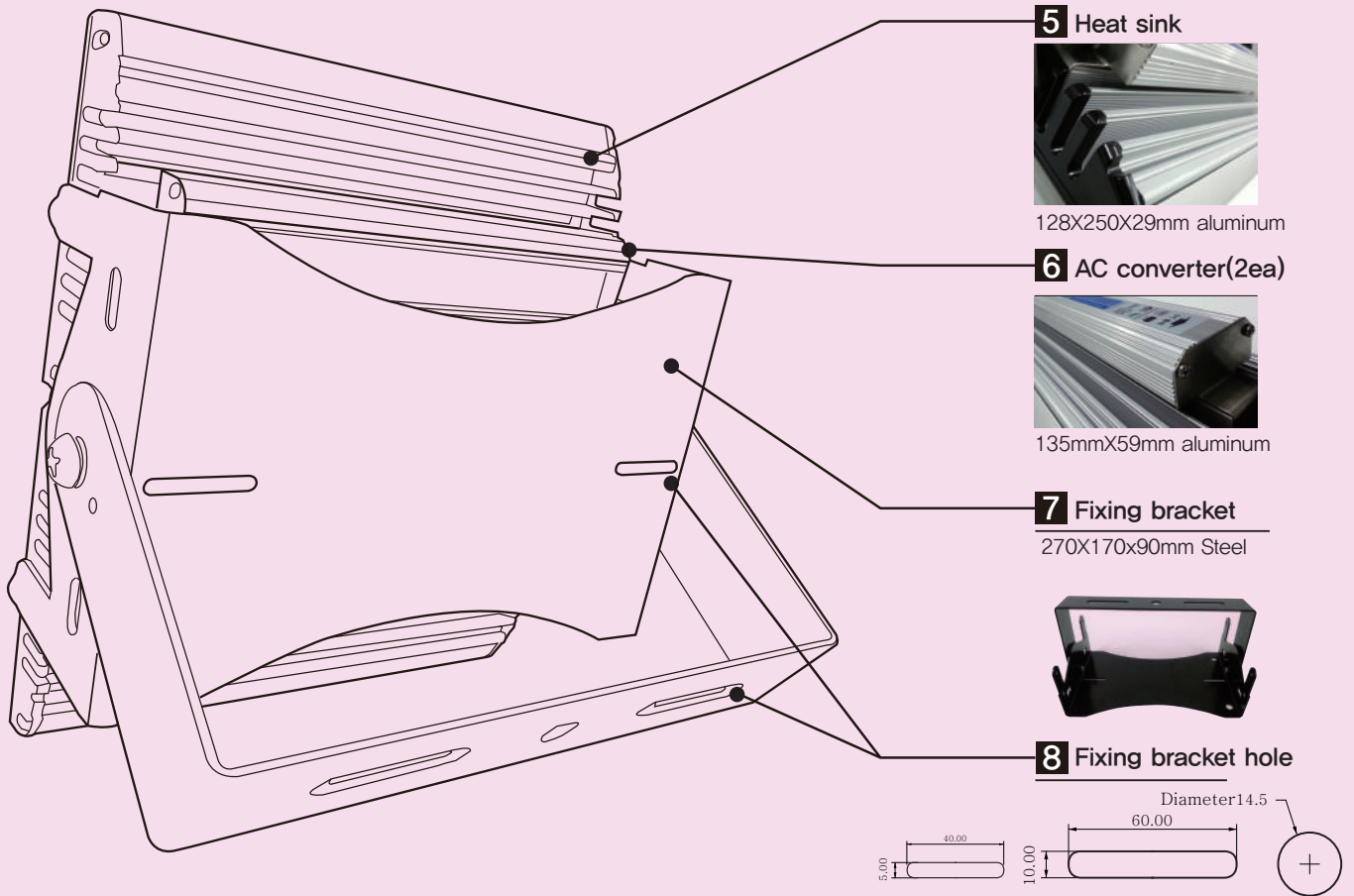


BEAM ANGLE 120






B.Overview




Structure of product



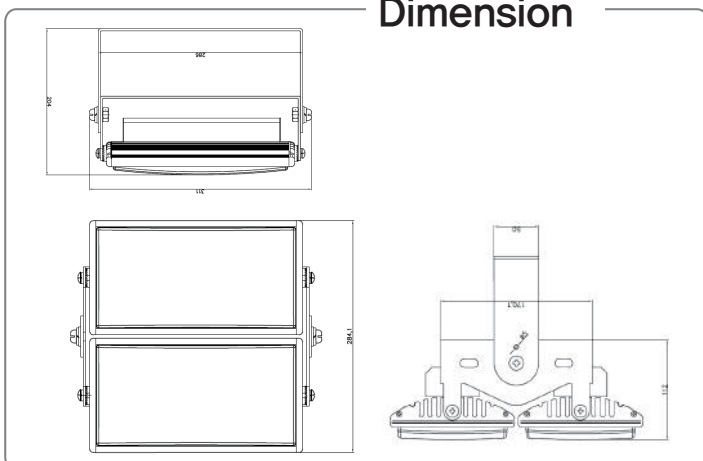
전기적 사양(Electronic Specification)

 power consumption	 input voltage	 power factor
160W	AC220V,50/60HZ (190V~AC290V)	Over 0.98

기술적 사양(Technical Specification)

 IP level	 weight	 Operating temperature
IP67	5Kg	-50~55°C

Dimension

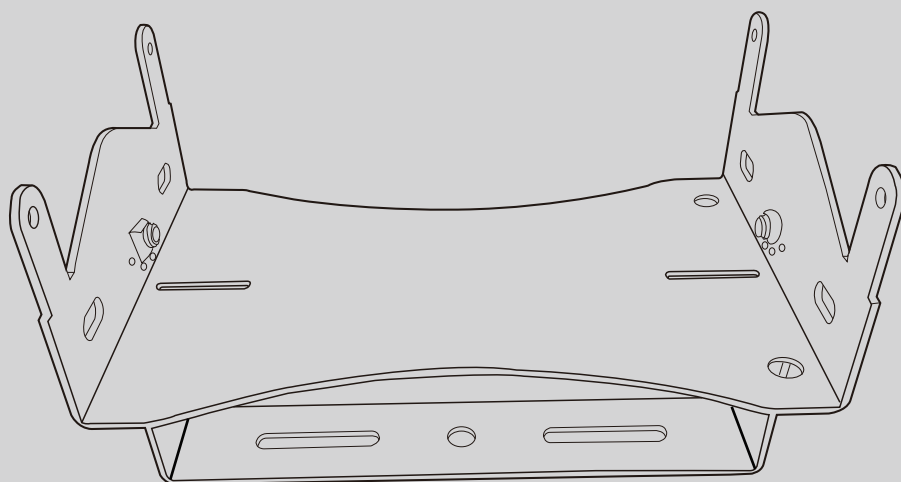


Architecture

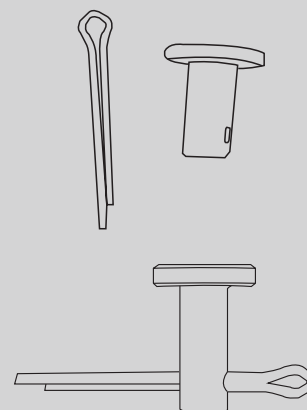


1. Direct mounting installation

① U bracket(basic component)

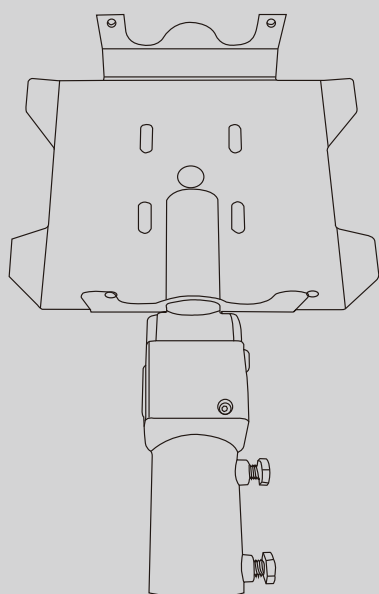


② Fixing pin set (basic component)



2. Pole connect installation

① Street light bracket (Basic component)



② Allen wrench (Basic component)



INSTALLATION

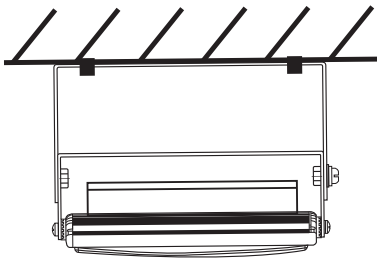
Mounting arrangement

1.D.installation

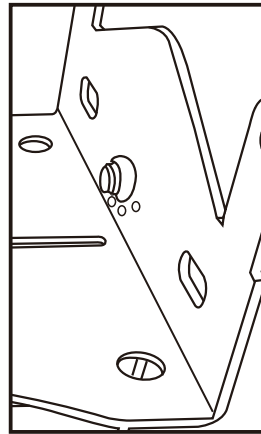
A. U bracket + fixing pin set (aluminum fixing pin + split pin)

A. U bracket + fixing pin set (aluminum fixing pin + split pin)

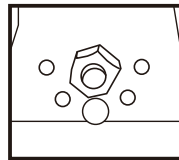
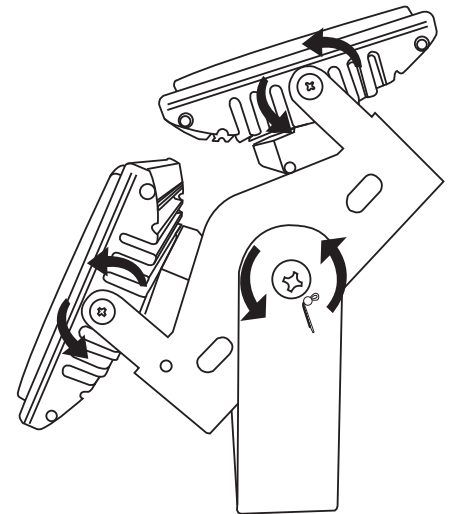
① Using screw on U bracket hole



② Using aluminum fixing pin set the bracket angle and fix it.



③ Possible to control each angle of light



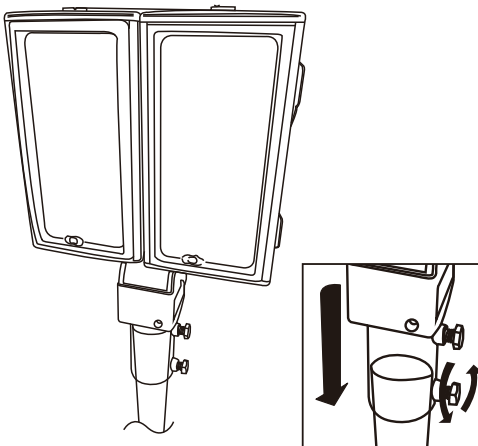
(0, 45, 90 degree)

2.Pole connect installation

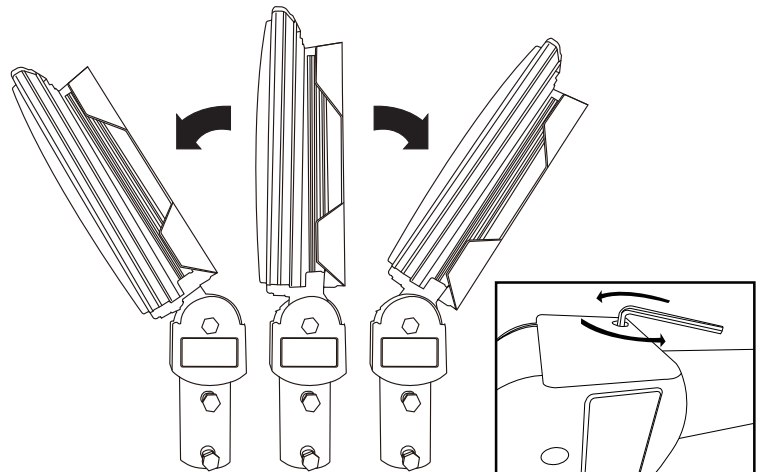
A.Street light bracket + Allen wrench

A.Street light bracket + Allen wrench

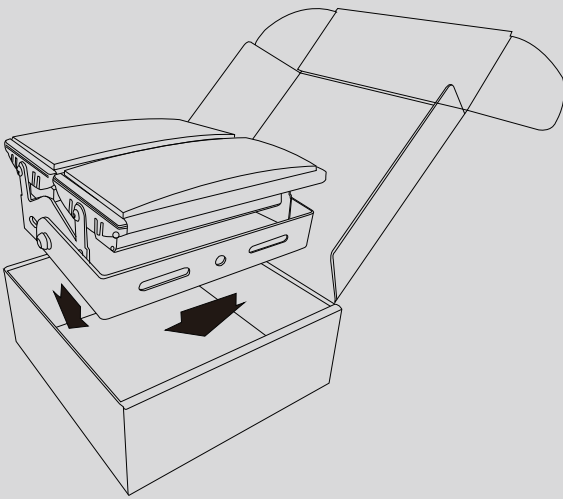
① Using screw and lock with pole



② Control the angle (front to rear 30°)

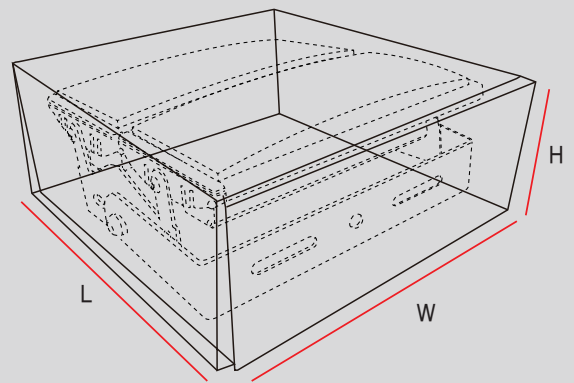


1. Packing (inbox)



2. In box size

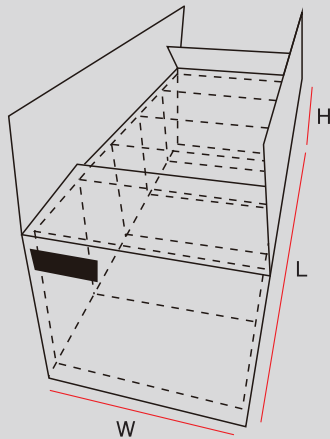
- Box size: 325(l)X305(w)X125(h)



3. Packing (outbox)

- Box size: 630(l)X135(w)X315(h)
- Box material: corrugated fiber board (DW)

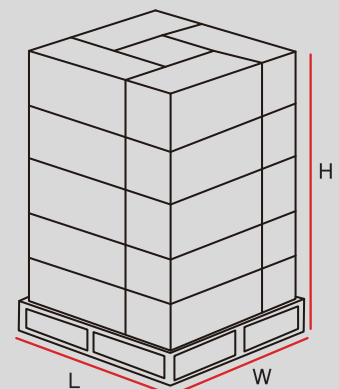
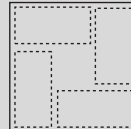
5eaX1layer



4. Pallet loading

- Pallet size: 1100(l)X1100(w)X1700(h)
- Pallet material: plastic

4eaX5layer



접수번호(Order No.) : EKC2014-2596



전기용품안전인증서 Electrical Appliances Safety Certificate

안전인증번호 : JL11032-14002
(Certificate No.)

제조업자명 : 주식회사 이지엠테크
(Manufacturer)

대표자명 : 김승훈
(President)

제조공장의소재지 : 경상북도 구미시 1공단로2길 13 (공단동)
(Factory Address)

제품명 : 조명기구용컨버터(LED램프용)
(Product) (Converter for luminaires for LED Converter)

기본모델명 : EGM70-NEO
(Basic Model)

정격 : 220 V~, 60 Hz, 70 W
(Rating)

파생모델명 : EGM100-NEO, EGM60-NEO, EGM80-NEO, EGM90-NEO
(Series Model)

적용기준 : KC61347-1(2014-09), KC61347-2-13(2014-09), KC62384(2014-09)
(Standard)

「전기용품안전관리법 시행규칙」 제6조 제2항의 규정에 따라 위의 전기용품에 대하여 안전인증서를 발급합니다.

We Issue Electrical Appliances Safety Certification as above product by Article 6 Section 2 of the Electrical Appliances Safety Control Enforcement Regulation.

2014년 11월 13일
year month day



※ 이 인증서는 「전기용품안전관리법」에 따른 전기용품안전성 확인에 한정된 것이며 그 밖의 다른 법률이 적용되는 제품의 경우에는 해당법률에 따라 추가로 인증·허가 등을 받아야 합니다.

1. 안전관리부품 및 재질목록(List of Critical components)
2. 기본모델·파생모델의 내용(General Descriptions of Certified Products)

첨부서류
(Annex)

