

VICHIDA
BRIGHTLY EVERYWHERE

MFV010
DC FREE 20W



We are committed to provide high performance,high quality,high durability product as a reasonable price that lighting experts wanted,We aim for world best in outdoorlighting and specific object lighting

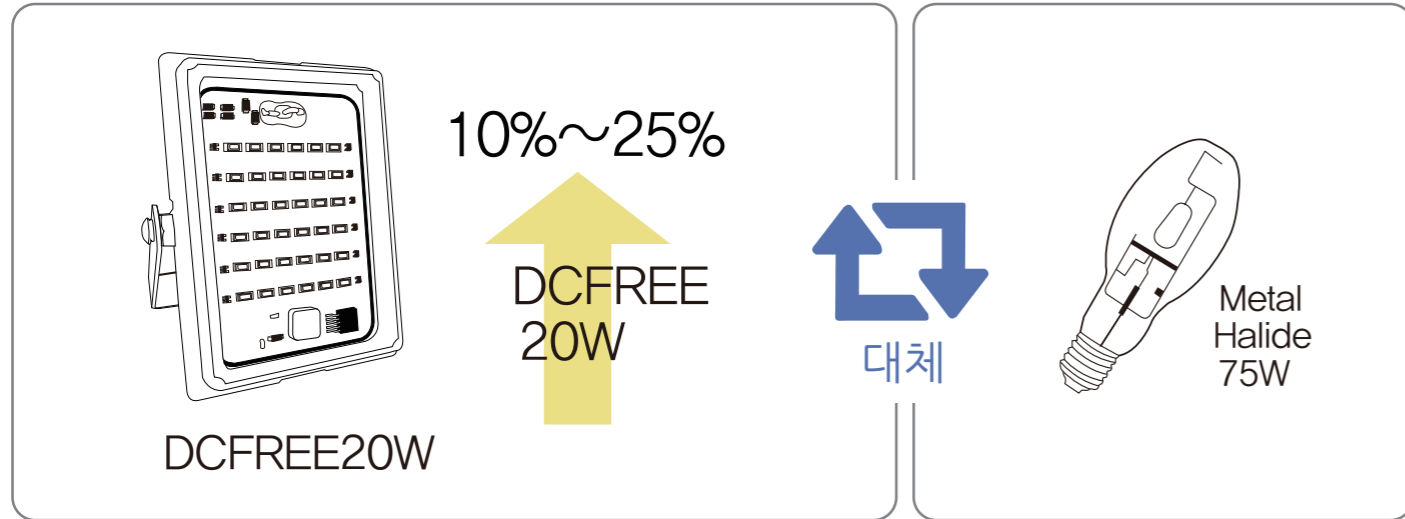


MFV010
DC FREE 20W
FLOOD LIGHT



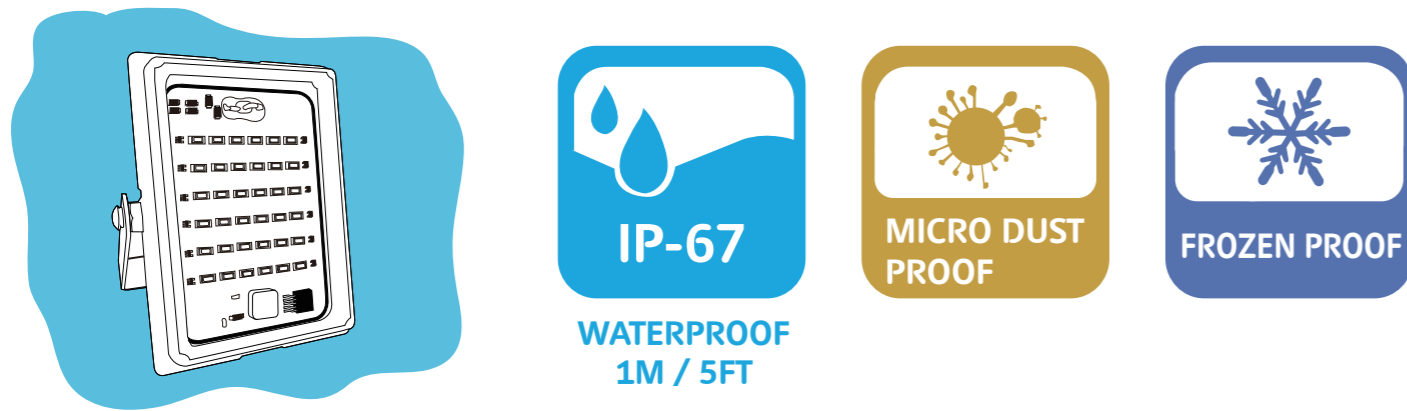
01. METAL HALIDE SUBTITUTE

- Possible to replacement with metal halide 75W
- 10%~25% brightness up



02. PERFECT WATERPROOF

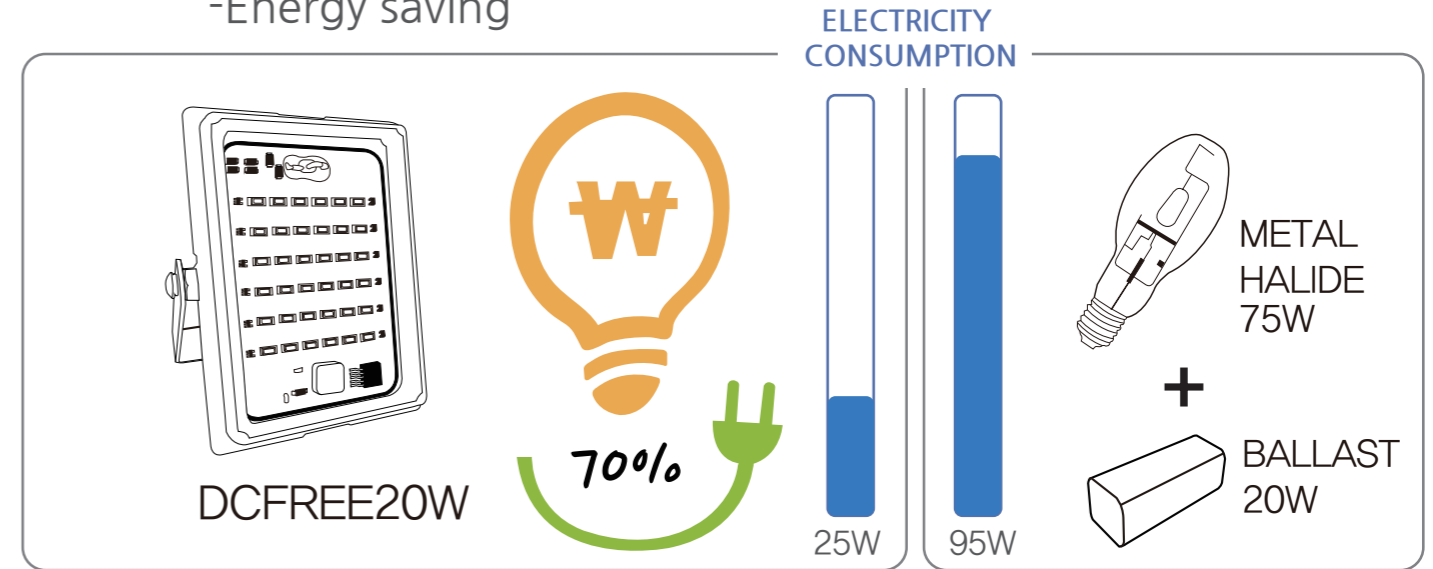
- IP67
- Related patent
- Moisture proof, micro dust proof, frozen proof



IP67 TEST REPORT : http://www.egmtech.kr/?pageid=3&page_id=1380&uid=100&mod=document

03. SAVING ELECTRICITY COST

- 50%~60% electricity cost reduction
- Energy saving



04. HIGH DURABILITY, ULTRA LIGHT & HEAVY MACHINE LIGHTING

- Possible to control the angle
- Camping & fishing



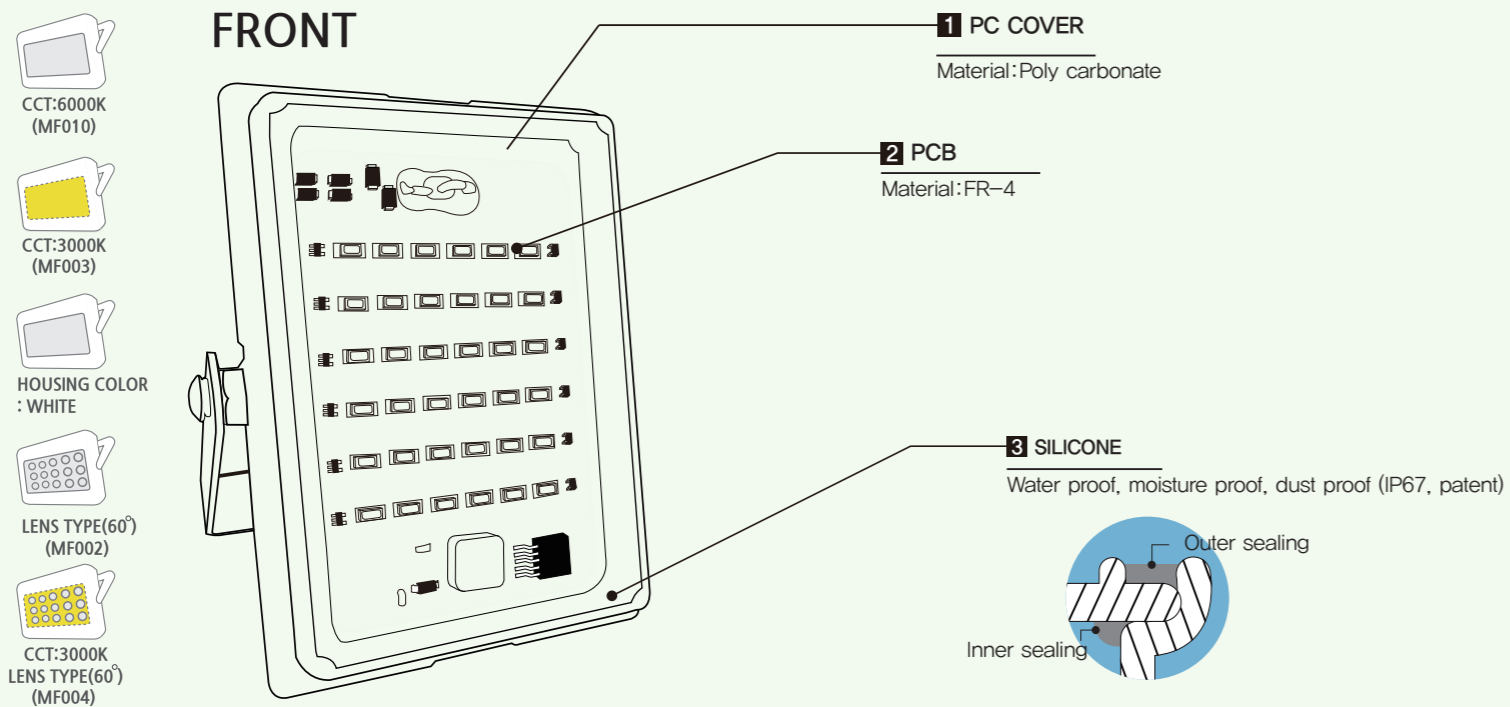
DURABILITY & ELECTRICAL SAFETY TEST VIDEO : http://www.egmtech.kr/?page_id=1350&uid=17&mod=document

MF010 Series (SPEC)

Specifications

TOTAL FLUX	ILLUMINANCE(1M)	CRI	CCT
1,700(lm)	590(lux)	OVER 60	6000K/3000K

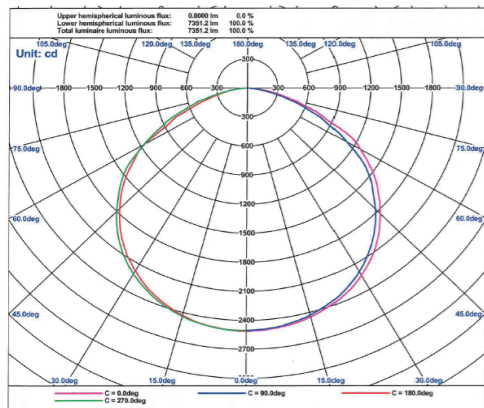
IP LEVEL	WEIGHT	TEMPERATURE	POWER	INPUT VOLTAGE	POWER FACTOR
IP67	0.44 Kg	-20~40°C	20W	DC12V~36V	OVER 0.9



Light distribution & Cone lux level

Total flux 1700(lm),
Illuminance 590(lux/1m)

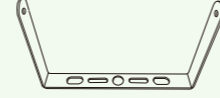
Beam angle
120°



590 lux	1.0m
144 lux	2.0m
64.2 lux	3.0m
36.1 lux	4.0m
23.1 lux	5.0m
17.1 lux	6.0m
16.0 lux	7.0m
11.8 lux	8.0m

MF010 Series (STRUCTURE)

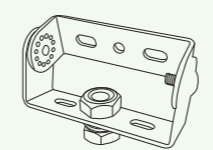
BACK BASIC BRACKET



U bracket 5
Material : Stainless

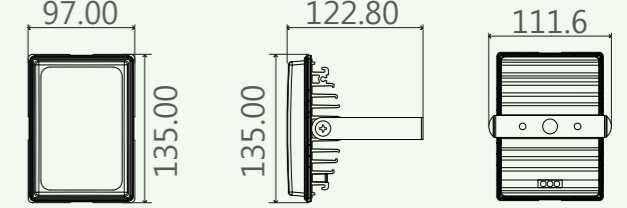
4 Heat sink
Material : Aluminum

OPTION
Using Tilting bracket

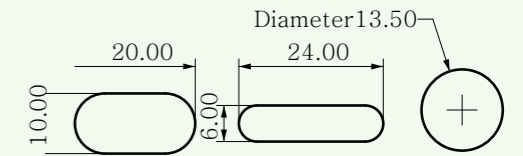


Tilting bracket 5
Material : Stainless

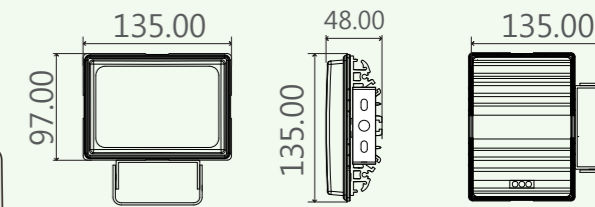
Dimension ※ 135X97X122.8



6 Fixing bracket hole
15X10mm(holl)

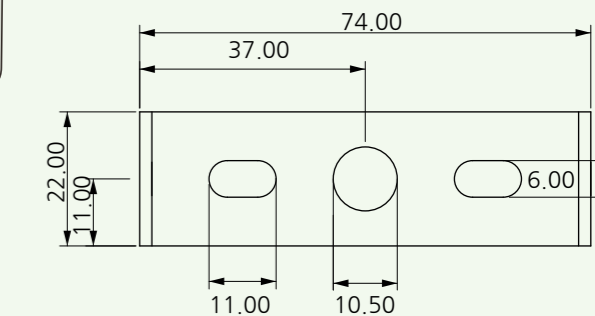


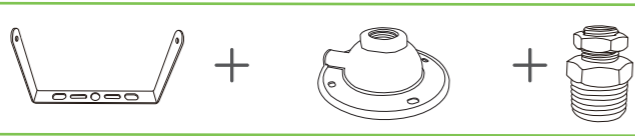
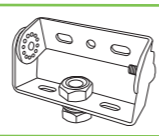
Dimension ※ 135X97X122.8



4 Heat sink
Material : Aluminum

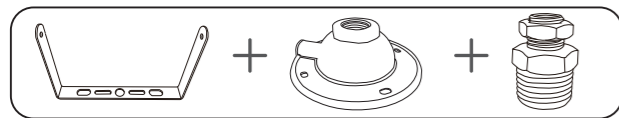
6 Fixing bracket hole
15X10mm(holl)



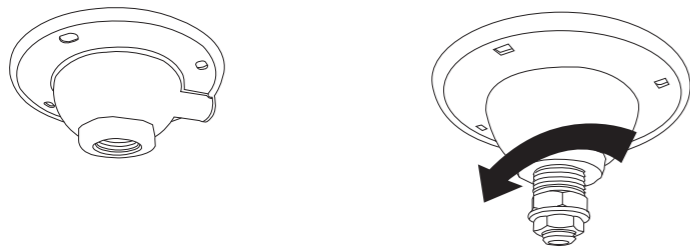
1. Direct mounting installation	Composition	A.U bracket(1EA)+ Flange(1EA) + Connect socket set 2(1EA)	B.Tilting bracket
	Image		
	Order code	Basic component + ACC012 + ACC021	ACC035

Setting up of the detailed way

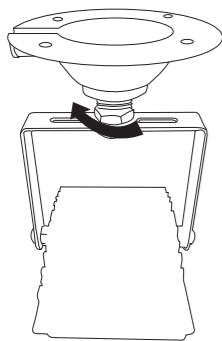
A. Basic component type



- ① Fix flange on the wall ② Lock the socket with flange

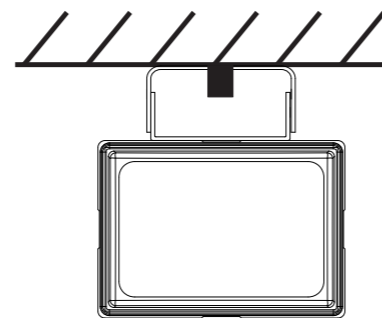


- ③ Connect the socket with bracket hole



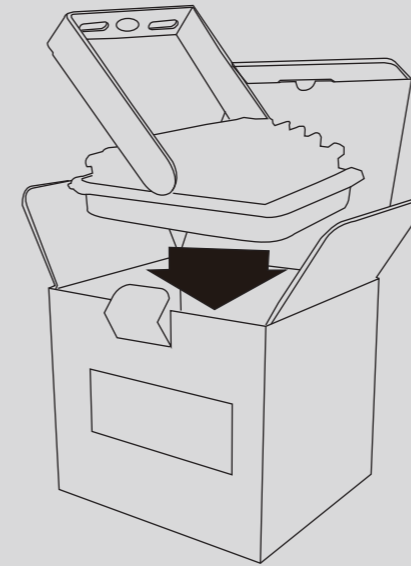
B. Tilting bracket type

- ① Using screw on tilting bracket hole



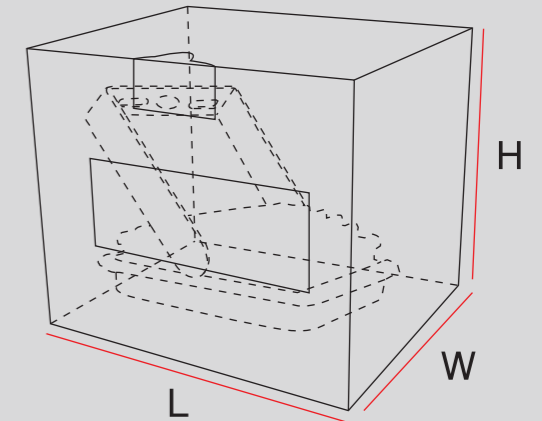
1. Packing(Inbox)

- Packing (In box)



2. Inbox size

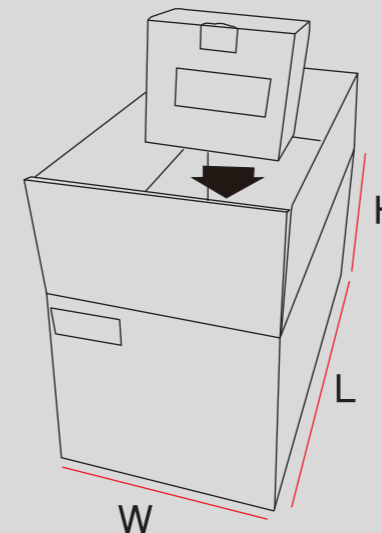
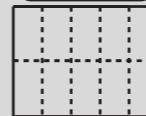
- BOX SIZE: 150(l)X125(w)X125(h)



3. Out box size

- Box size : 650(l)X310(w)X280(h)
- Box material : Corrugated fiber

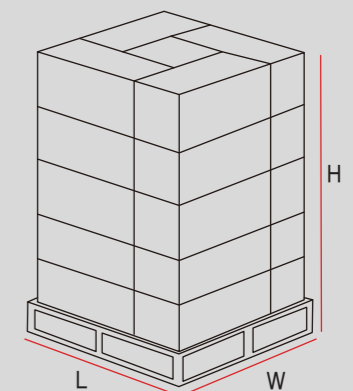
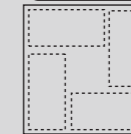
10ea X 5layer



4. Pallette loading

- Pallette size: 1100(l)X1100(w)X2220(h)
- Pallette material : Plastic

4ea X 5layer



	TEST	TEST condition	Sample qty / Defect qty	Remark
1	Water proof test	☐. Check the normal operating after put in water tank For 1 week(9hr on / 15hr off per 1 cycle).	5 / 0	
		☐. Check the moisture permeation after waterproof test and disassemble inside.	5 / 0	
2	Aging test	☐. Check the product condition after aging for 120hours under the rated voltage and room temperature.	5 / 0	
		☐. Check the illuminance value fluctuation range after 4hours aging, and 120 hours aging.	5 / 0	
		☐ Check the discolor, defect of PCB, PC Cover and any other part.	5 / 0	
3	Applied electric test under high/low temperature	☐. Check the normal operating after test under 60°C and -50°C per 120hours.	5 / 0	
4	EMI test	☐. Check the pass of KC standard with conduction and radiation.	5 / 0	
5	Surge test	☐. Check the normal operating under the 5KV, 10KV electric current.	5 / 0	
6	Drop test	☐. Check the crack or any other damage after drop from 2M height.	5 / 0	
7	Input rated voltage test	☐. 220V product : Check the normal operating on 210V ~240V (sustainment time : 2hours)	5 / 0	
8	Temporary over voltage test	☐. Check the normal operating under over 30% of rated voltage within 3 sec.	5 / 0	
9	Over voltage test	☐. Check the normal operating under over 20% of rated voltage.(20 hours lasts under AC290V)	5 / 0	
10	Converter inside	☐. Check the converter inside temperature after 5 hours aging under room temperature, and record it.(MAX temperature)	5 / 0	
11	Component temperature	☐. Check the most hottest part of temperature, and record it.(measure it after 3 hours power on)	5 / 0	

Notice for using products



-Do not remodel or disassemble the product arbitrarily.
(You can not get A/S when arbitrarily)



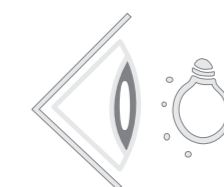
-Please be sure to install in where circuit breaker in installed.



-Please be sure to install at power off.



-Do not touch the product during the light on for a long time.



-Please do not look light directly when light on.

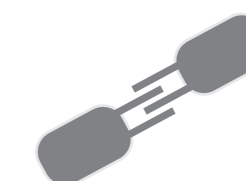
Checklist for product problem



-If LED doesn't light on, please check the power circuit breaker.



-Make sure the power switch is set to ON.



-If the product does not light up after power on, please check the power cable contact status.



-When the product have problem, do not disassemble the product arbitrarily, and ask to store which you bought.
(You can not get A/S when arbitrarily disassemble)



If product has trouble caused by natural disaster like thunderbolt or surge, you can not get free A/S.
(It need cost for A/S)