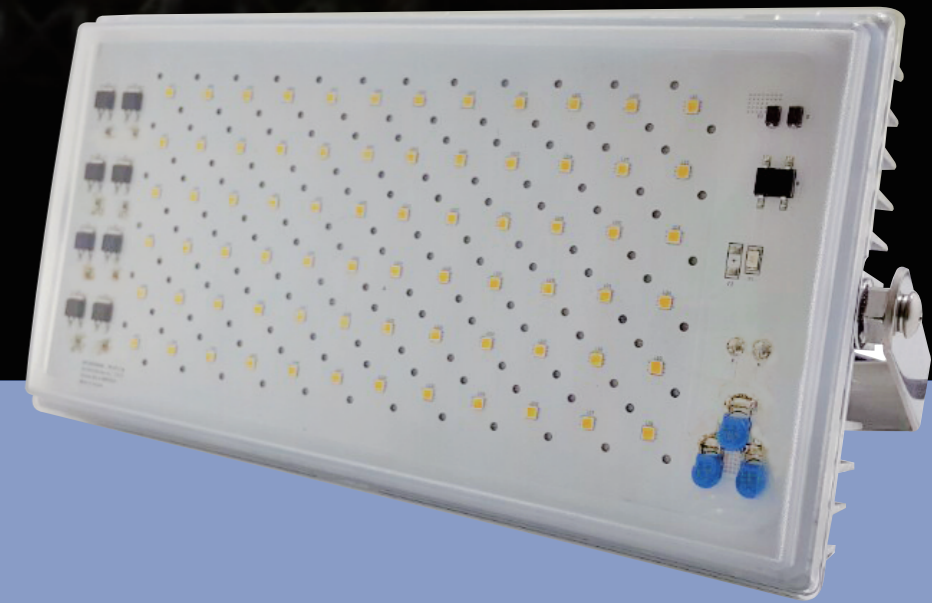


OVS3000  
**VICHIDA**  
BRIGHTLY ANYWHERE  
SLIM 75W FLOOD LIGHT



We are committed to provide high performance,high quality,high durability product as a reasonable price that lighting experts wanted,We aim for world best in outdoorlighting and specific object lighting

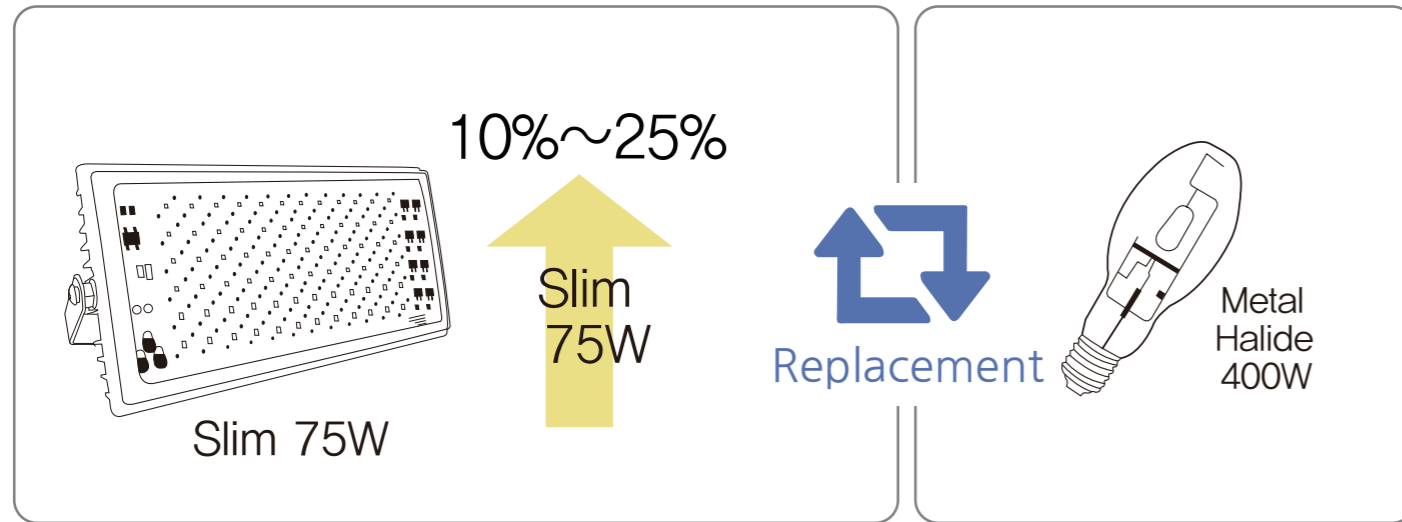


OVS3000  
SLIM 75W  
FLOOD LIGHT



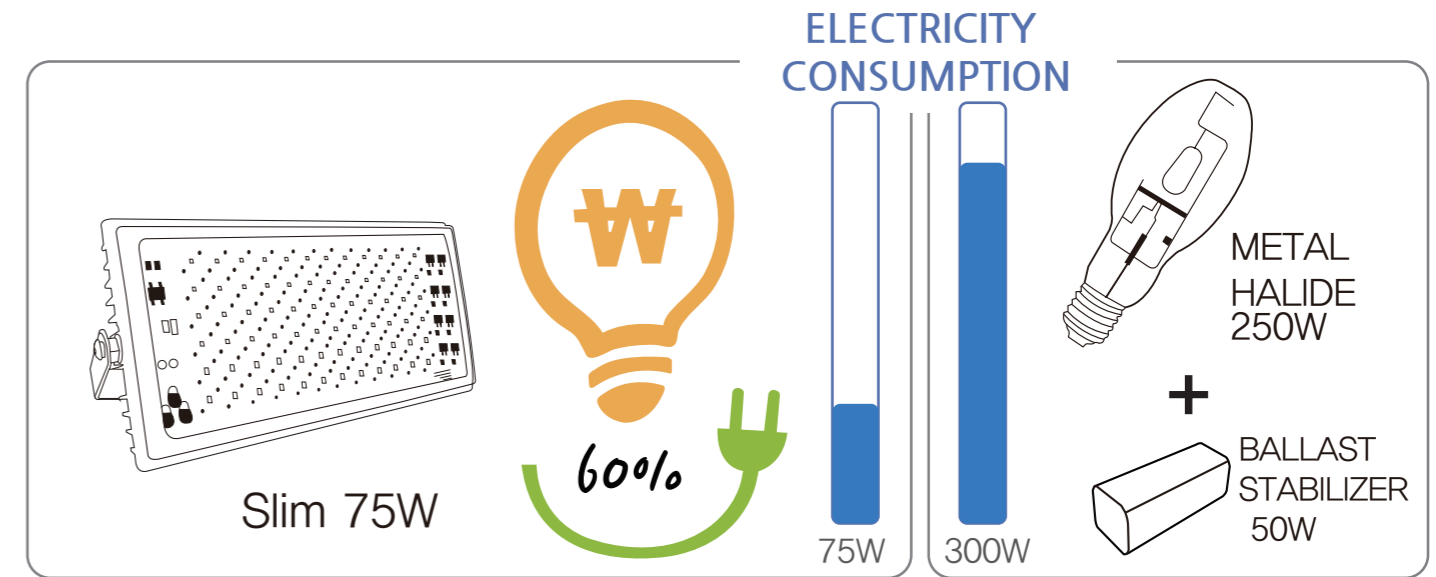
### 01. SUBSTITUTION FOR METAL HALIDE

- Possible to replacement with metal halide 400W
- 10%~25% brightness up



### 03. SAVING ELECTRICITY COST

- 60%~70% electricity cost reduction
- Energy saving



### 02. PERFECT WATERPROOF

- IP67
- Related patent
- Moisture proof, micro dust proof, frozen proof



IP TEST REPORT : [http://www.egmtech.kr/?pageid=3&page\\_id=1380&uid=101&mod=document](http://www.egmtech.kr/?pageid=3&page_id=1380&uid=101&mod=document)

### 04. SLIM APPEARANCE & HIGH DURABILITY

- 60mm slim design
- 3m drop test
- Constant-current system



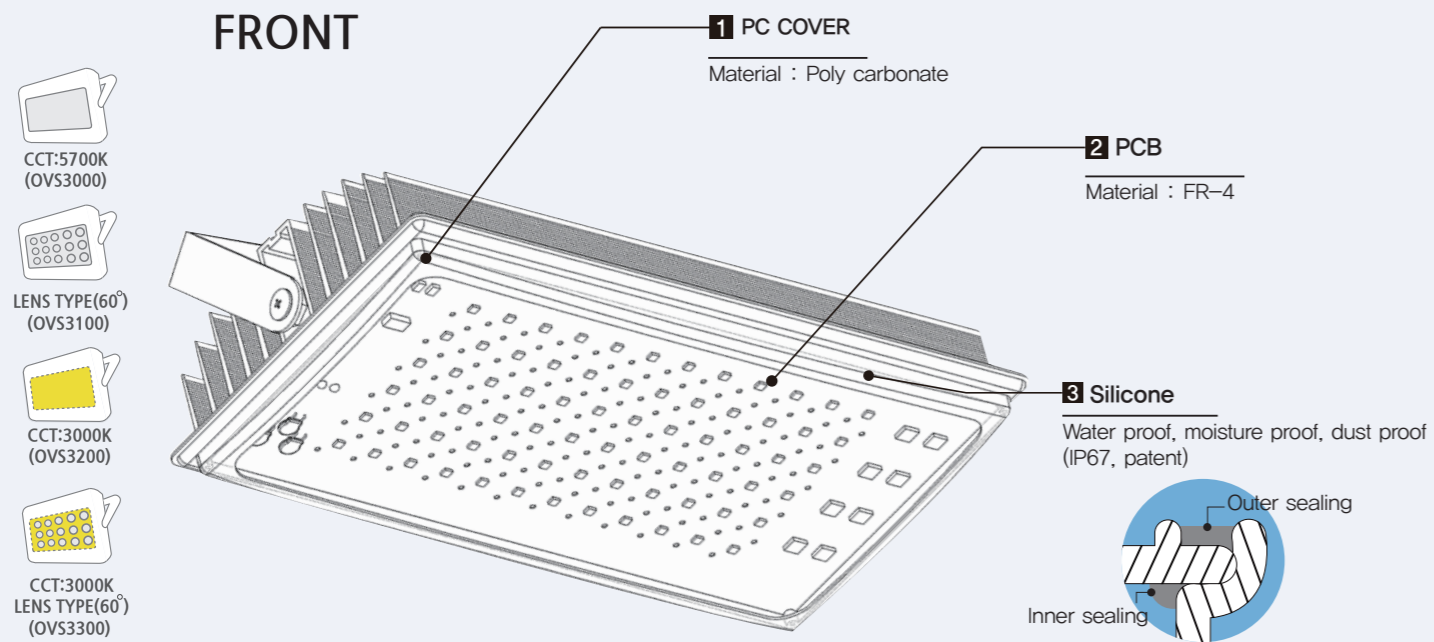
DURABILITY & ELECTRICAL SAFETY TEST VIDEO : [http://www.egmtech.kr/?page\\_id=1350&uid=17&mod=document](http://www.egmtech.kr/?page_id=1350&uid=17&mod=document)

# OVS3000 Series

## Specifications

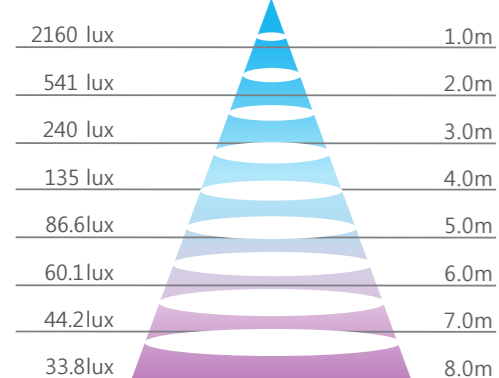
TOTAL FLUX	ILLUMINANCE (1M)	CRI	CCT
6,500(lm)	2,160(lux)	OVER 75	5700K

IP LEVEL	WEIGHT	OPERATING TEMPERATURE	POWER CONSUMPTION	INPUT VOLTAGE	POWER FACTOR
IP67	1.5 Kg	-50~55°C	75W	AC220V~240V 50/60Hz	OVER 0.9

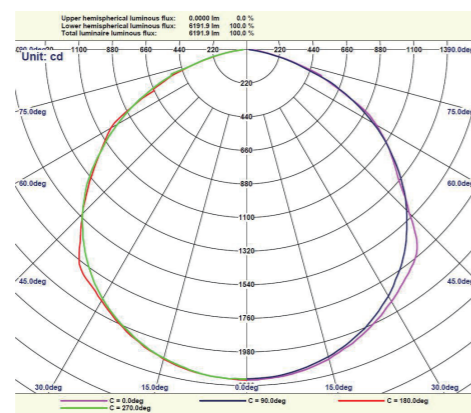


## Light Distribution & Cone Lux Levels

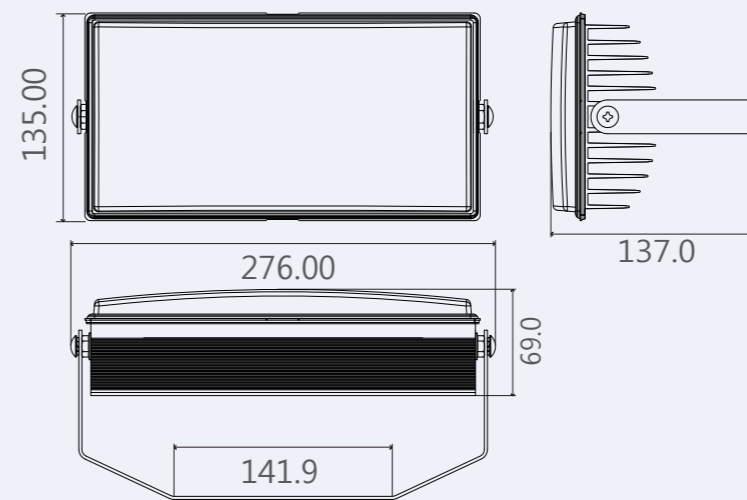
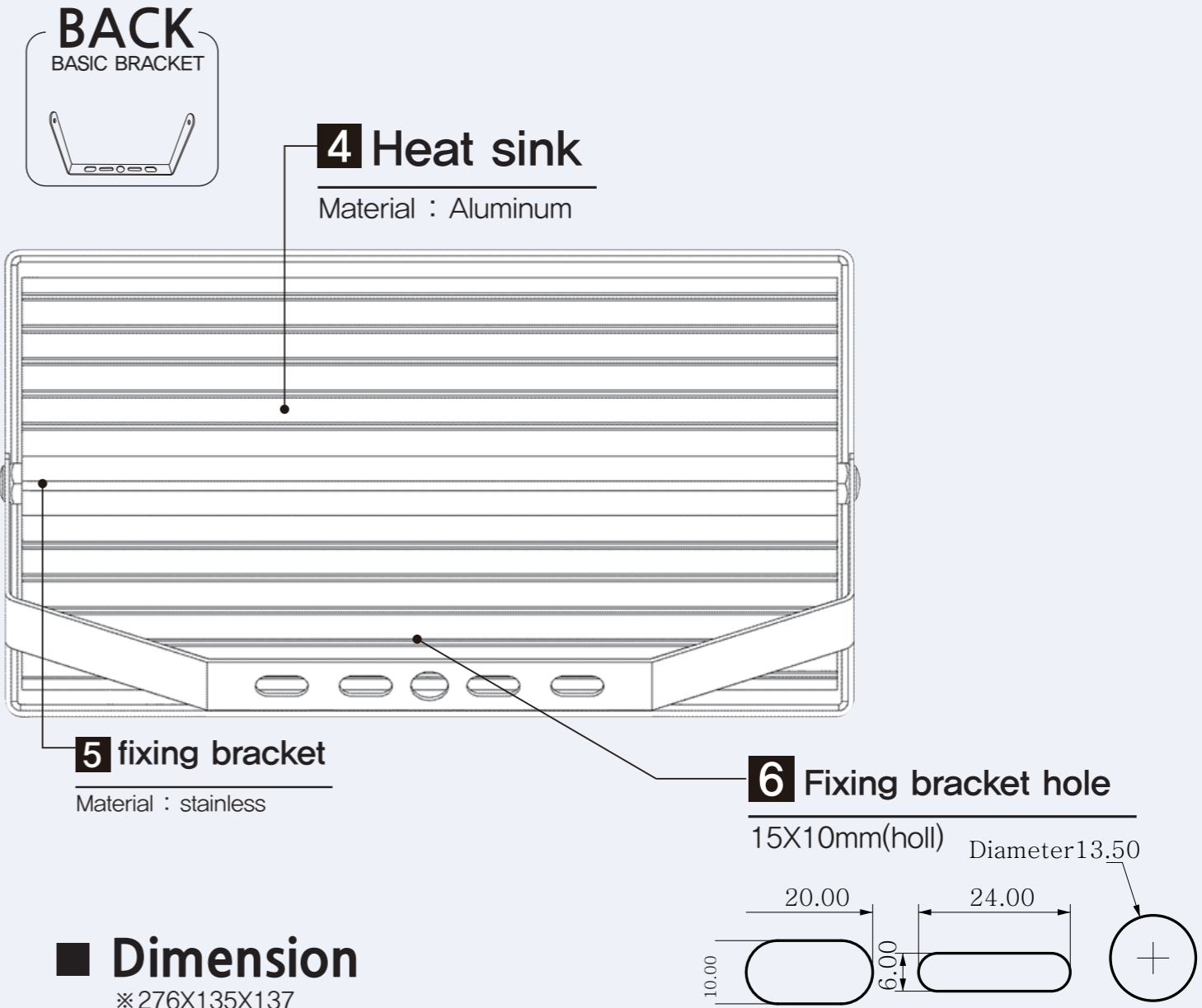
Total flux : 6500(lm)  
Illuminance : 2160(lux/1m)





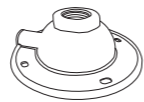
Beam angle : 120°



# OVS3000 Series

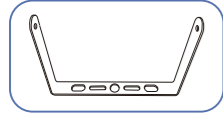


# Installation

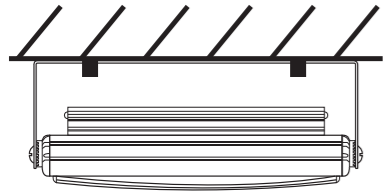
1.Direct mounting installation	Composition	A. U bracket(1EA)+Connect socket set 2(1EA)+flange(1EA)				
	Image		+		+	
	Order code	Basic component	+	ACC021	+	ACC012

## HOW TO INSTALLATION

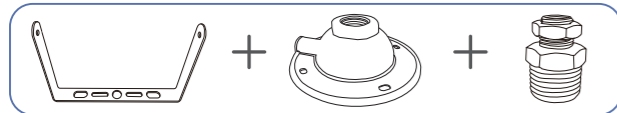
### U BRACKET



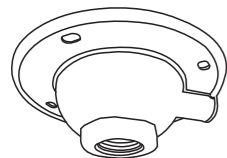
① Using screw on U bracket hole.



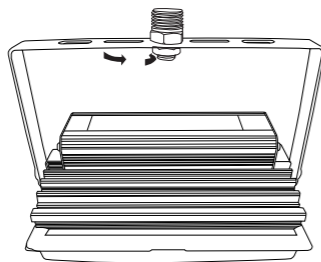
### A.Using flange direct mounting type



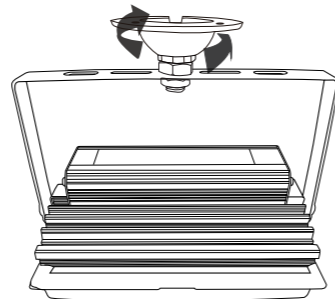
① Fix flange on the wall



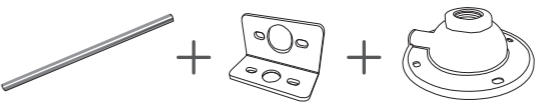

② Connect socket set 2 on the bracket hole



③ Lock the socket with flange



# Installation

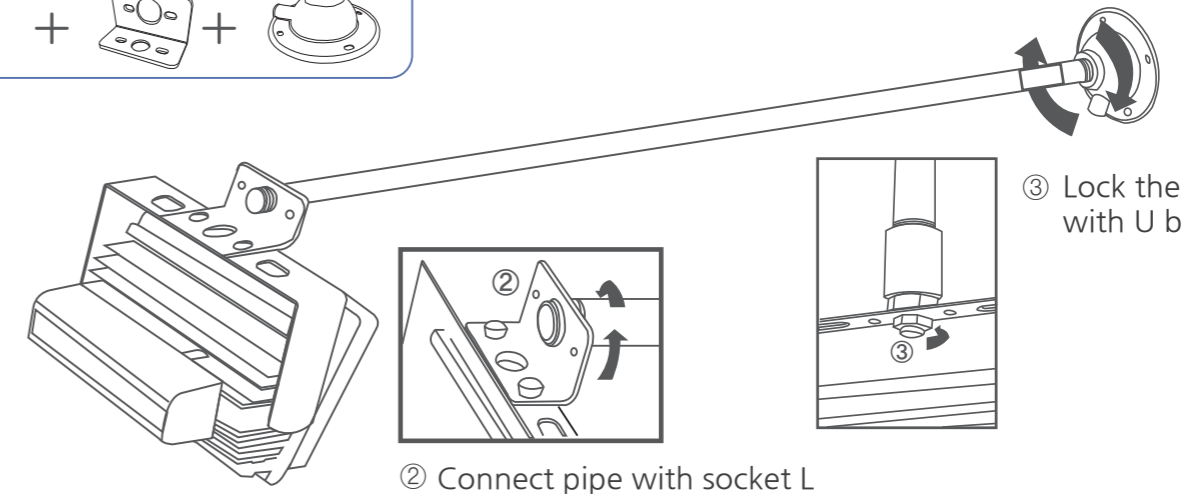
2.Pipe installation	Composition	A .I PIPE(1EA) + SOCKET L(1EA) + FLANGE(1EA)	B .L PIPE(1EA) + SOCKET SET 3(1EA) + FLANGE(1EA)
	Image		
	Order code	ACC001 + ACC011 + ACC012	ACC004 + ACC020 + ACC012

## HOW TO INSTALLATION

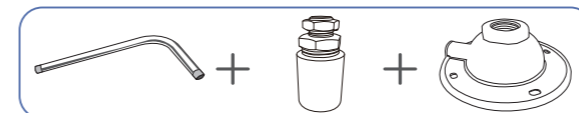
### A.I PIPE



① Fix the flange on the wall



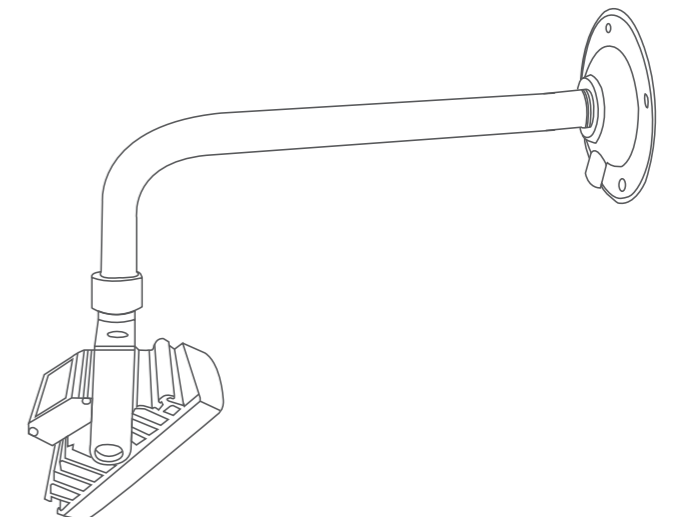
### B.L PIPE



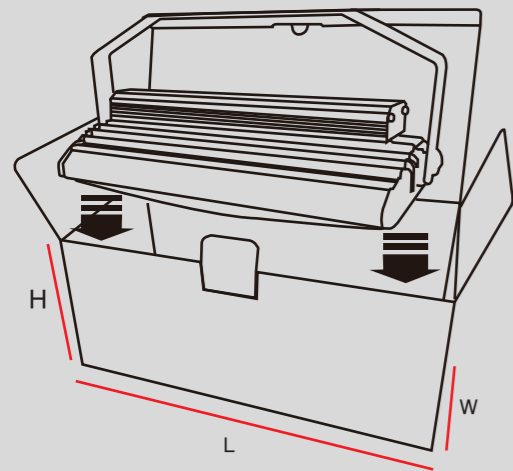
① Fix flange on the wall  
Connect the flange with pipe

② Connect pipe with socket L

③ Lock the connect socket with U bracket

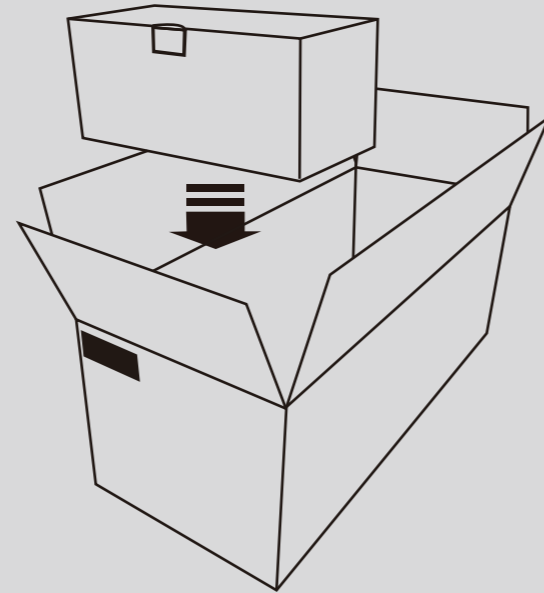


## 1. Packing(Inbox)



## 2. Inbox size

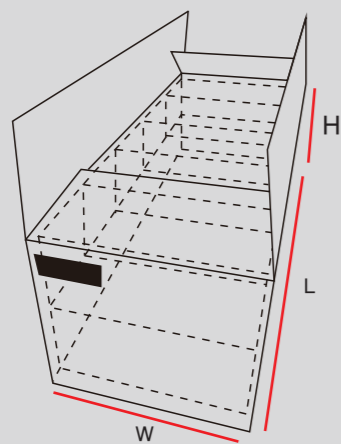
● BOX SIZE: 315(l)X155(w)X140(h)



## 3. Out box size

- Box size: 780(l)X315(w)X420(h)
- Box material: Corrugated fiber board

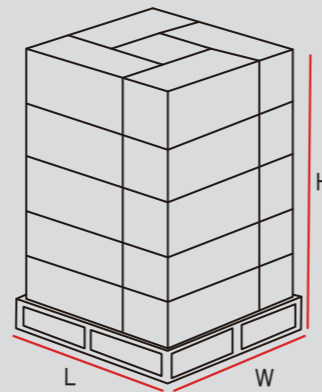
5eaX2layer



## 4. Pallet loading

- Pallet size: 1100(l)X1100(w)X2220(h)
- Pallet materia: Plastic

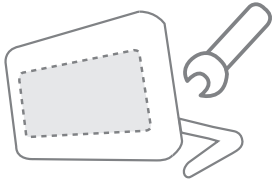
4개입X5단



	TEST	TEST condition	Sample qty / Defect qty	Remark
1	Water proof test	☐. Check the normal operating after put in water tank For 1 week(9hr on / 15hr off per 1 cycle).	5 / 0	
		☐. Check the moisture permeation after waterproof test and disassemble inside.	5 / 0	
2	Aging test	☐. Check the product condition after aging for 120hours under the rated voltage and room temperature.	5 / 0	
		☐. Check the illuminance value fluctuation range after 4hours aging, and 120 hours aging.	5 / 0	
		☐ Check the discolor, defect of PCB, PC Cover and any other part.	5 / 0	
3	Applied electric test under high/low temperature	☐. Check the normal operating after test under 60°C and -50°C per 120hours.	5 / 0	
4	EMI test	☐. Check the pass of KC standard with conduction and radiation.	5 / 0	
5	Surge test	☐. Check the normal operating under the 5KV, 10KV electric current.	5 / 0	
6	Drop test	☐. Check the crack or any other damage after drop from 2M height.	5 / 0	
7	Input rated voltage test	☐. 220V product : Check the normal operating on 210V ~240V (sustainment time : 2hours)	5 / 0	
8	Temporary over voltage test	☐. Check the normal operating under over 30% of rated voltage within 3 sec.	5 / 0	
9	Over voltage test	☐. Check the normal operating under over 20% of rated voltage.(20 hours lasts under AC290V)	5 / 0	
10	Converter inside	☐. Check the converter inside temperature after 5 hours aging under room temperature, and record it.(MAX temperature)	5 / 0	
11	Component temperature	☐. Check the most hottest part of temperature, and record it.(measure it after 3 hours power on)	5 / 0	

# Caution

## Notice for using products



-Do not remodel or disassemble the product arbitrarily.  
(You can not get A/S when arbitrarily)



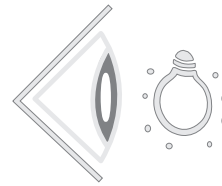
-Please be sure to install in where circuit breaker is installed.



-Please be sure to install at power off.

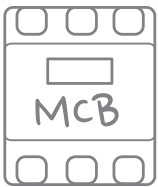


-Do not touch the product during the light on for a long time.



-Please do not look light directly when light on.

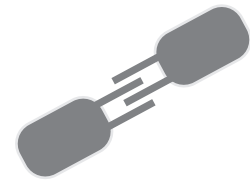
## Checklist for product problem



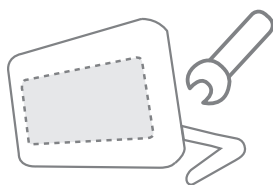
-If LED doesn't light on, please check the power circuit breaker.



-Make sure the power switch is set to ON.



-If the product does not light up after power on, please check the power cable contact status.



-When the product have problem, do not disassemble the product arbitrarily, and ask to store which you bought.  
(You can not get A/S when arbitrarily disassemble)



If product has trouble caused by natural disaster like thunderbolt or surge, you can not get free A/S.  
(It need cost for A/S)